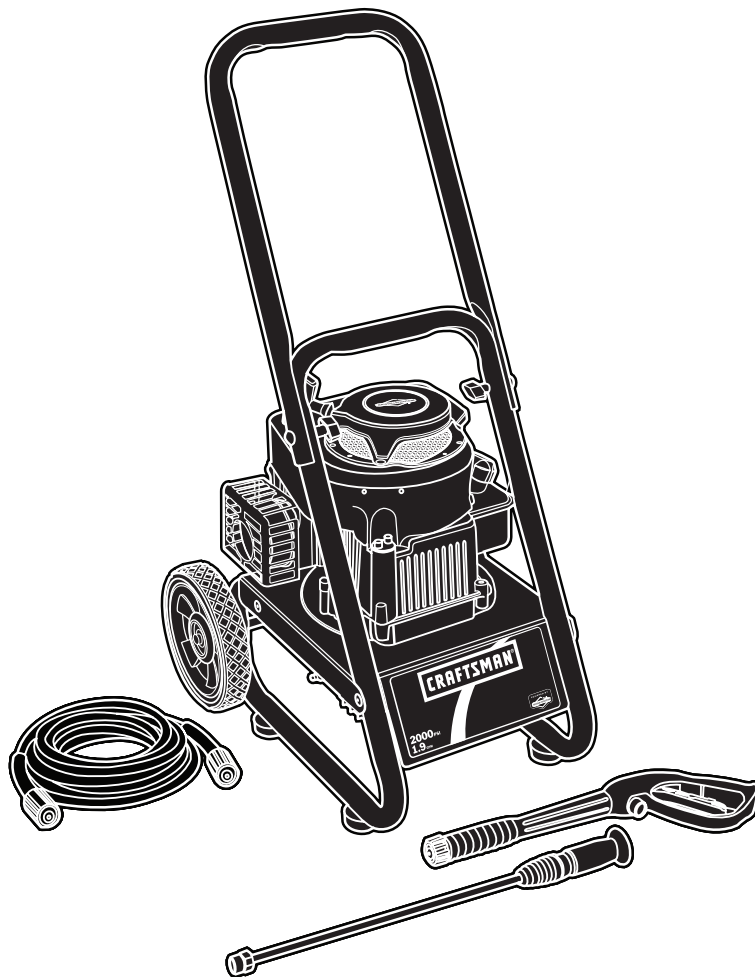


Operator's Manual



2000 PSI
1.9 GPM
PRESSURE WASHER

Model No. 580.676621



**PRESSURE WASHER
CUSTOMER HELPLINE
1-800-222-3136**

HOURS: Mon. - Fri. 8 a.m. to 5 p.m. (CT)

- Safety
- Assembly
- Operation
- Maintenance
- Parts
- Français, p. 30

 WARNING
Before using this product, read this manual and follow all Safety Rules and Operating Instructions.

 AVERTISSEMENT
Avant d'utiliser ce produit, veuillez lire le manuel et suivre toutes les directives relatives à la sécurité et à l'utilisation.

This pressure washer is rated in accordance to the Pressure Washer Manufacture Association (PWMA) standard PW101 (Testing and Rating Performance of Pressure Washers).

Les caractéristiques nominales de ce nettoyeur à haute pression sont conformes à la norme PW101 de la Pressure Washer Manufacture Association (PWMA) (Tests et performance nominale des nettoyeurs à haute pression).

Sears Canada, Inc.

Visit our Craftsman website: www.sears.ca

Part No. 206230GS Draft A (09/30/2008)



TABLE OF CONTENTS

WARRANTY	2	STORAGE	19
SAFETY RULES	2-4	TROUBLESHOOTING	20
FEATURES AND CONTROLS	5	NOTES	21 & 29
ASSEMBLY	6-8	REPLACEMENT PARTS	22-26
OPERATION	9-12	EMISSION CONTROL WARRANTY	27-28
SPECIFICATIONS	13	FRANÇAIS	30-51
MAINTENANCE	14-18	HOW TO ORDER PARTS	BACK PAGE

WARRANTY

ONE-YEAR FULL WARRANTY ON CRAFTSMAN PRESSURE WASHER

If this pressure washer fails due to a defect in material or workmanship within one year from the date of purchase, return it to any Sears store, other Craftsman outlet, or Sears Parts & Repair Center in the United States or Canada for free repair (or replacement if repair proves impossible).

All warranty coverage applies for only 90 days from date of purchase if this pressure washer is ever used for commercial or rental purposes.

This warranty gives you specific legal rights, and you may also have other rights which vary from state to state.

Sears, Roebuck and Co., Hoffman Estates, IL 60179
Sears Canada Inc., Toronto, Ontario, Canada M5B 2B8

SAFETY RULES



Read this manual carefully and become familiar with your pressure washer. Know its applications, its limitations, and any hazards involved.

Important Safety Information

Safety Symbols and Meanings



Toxic Fumes



Kickback



Electrical Shock



Slippery Surface



Fall



Fluid Injection



Fire



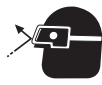
Explosion



Operator's Manual



Moving Parts



Flying Objects



Hot Surface

▲ The safety alert symbol indicates a potential personal injury hazard. A signal word (DANGER, WARNING, or CAUTION) is used with the alert symbol to designate a degree or level of hazard seriousness. A safety symbol may be used to represent the type of hazard. The signal word *NOTICE* is used to address practices not related to personal injury.

▲ **DANGER** indicates a hazard which, if not avoided, *will* result in death or serious injury.

▲ **WARNING** indicates a hazard which, if not avoided, *could* result in death or serious injury.

▲ **CAUTION** indicates a hazard which, if not avoided, *could* result in minor or moderate injury.

NOTICE address practices not related to personal injury.

▲ WARNING: The engine exhaust from this product contains chemicals known to the State of California to cause cancer, birth defects, or other reproductive harm.

▲ WARNING: Certain components in this product and related accessories contain chemicals known to the State of California to cause cancer, birth defects or other reproductive harm. Wash hands after handling.

▲ WARNING: Running engine gives off carbon monoxide, an odorless, colorless, poison gas. Breathing carbon monoxide can cause headache, fatigue, dizziness, vomiting, confusion, seizures, nausea, fainting or death. Some chemicals or detergents may be harmful if inhaled or ingested, causing severe nausea, fainting, or poisoning.

- Operate pressure washer ONLY outdoors.
- Keep exhaust gas from entering a confined area through windows, doors, ventilation intakes, or other openings.
- DO NOT start or run engine indoors or in an enclosed area, even if windows and doors are open.
- Use a respirator or mask whenever there is a chance that vapors may be inhaled.
- Read all instructions with mask so you are certain the mask will provide the necessary protection against inhaling harmful vapors.

▲ WARNING: Use of pressure washer can create puddles and slippery surfaces. Kickback from spray gun can cause you to fall.



- Operate pressure washer from a stable surface.
- The cleaning area should have adequate slopes and drainage to reduce the possibility of a fall due to slippery surfaces.
- Be extremely careful if you must use the pressure washer from a ladder, scaffolding, or any other similar location.
- Firmly grasp spray gun with both hands when using high pressure spray to avoid injury when spray gun kicks back.

▲ WARNING: Starter cord kickback (rapid retraction) can result in bodily injury. Kickback will pull hand and arm toward engine faster than you can let go. Broken bones, fractures, bruises, or sprains could result.



- NEVER pull starter cord without first relieving spray gun pressure.
- When starting engine, pull cord slowly until resistance is felt and then pull rapidly to avoid kickback.
- After each starting attempt, where engine fails to run, always point spray gun in safe direction and squeeze spray gun trigger to release high pressure. Engage spray gun trigger lock.
- Firmly grasp spray gun with both hands when using high pressure spray to avoid injury when spray gun kicks back.

▲ WARNING: Fuel and its vapors are extremely flammable and explosive. Fire or explosion can cause severe burns or death.



WHEN ADDING OR DRAINING FUEL

- Turn pressure washer OFF and let it cool at least 2 minutes before removing fuel cap. Loosen cap slowly to relieve pressure in tank.
- Fill or drain fuel tank outdoors.
- DO NOT overfill tank. Allow space for fuel expansion.
- If fuel spills, wait until it evaporates before starting engine.
- Keep fuel away from sparks, open flames, pilot lights, heat, and other ignition sources.
- DO NOT light a cigarette or smoke.

WHEN STARTING EQUIPMENT

- Ensure spark plug, muffler, fuel cap, and air cleaner are in place.
- DO NOT crank engine with spark plug removed.

WHEN OPERATING EQUIPMENT

- DO NOT tip engine or equipment at angle which causes fuel to spill.
- DO NOT spray flammable liquids.

WHEN TRANSPORTING OR REPAIRING EQUIPMENT

- Transport/repair with fuel tank EMPTY or with fuel shutoff valve OFF.
- Disconnect spark plug wire.

WHEN STORING FUEL OR EQUIPMENT WITH FUEL IN TANK

- Store away from furnaces, stoves, water heaters, clothes dryers, or other appliances that have pilot light or other ignition source because they can ignite fuel vapors.

▲ WARNING: Risk of electrocution.



Contact with power source can cause electric shock or burn.

- NEVER spray near power source.

▲ WARNING: Contact with muffler area can result in serious burns.



Exhaust heat/gases can ignite combustibles, structures or damage

fuel tank causing a fire.

- DO NOT touch hot parts and AVOID hot exhaust gases.
- Allow equipment to cool before touching.
- Keep at least 5 feet (152 cm) of clearance on all sides of pressure washer including overhead.
- It is a violation of California Public Resource Code, Section 4442, to use or operate the engine on any forest-covered, brush-covered, or grass-covered land unless the exhaust system is equipped with a spark arrester, as defined in Section 4442, maintained in effective working order. Other states or federal jurisdictions may have similar laws. Contact the original equipment manufacturer, retailer, or dealer to obtain a spark arrester designed for the exhaust system installed on this engine.
- Replacement parts must be the same and installed in the same position as the original parts.

⚠ WARNING: The high pressure stream of water that this equipment produces can cut through skin and its underlying tissues, leading to serious injury and possible amputation.



Spray gun traps high water pressure, even when engine is stopped and water is disconnected, which can cause injury.

- DO NOT allow CHILDREN to operate pressure washer.
- NEVER repair high pressure hose. Replace it.
- NEVER repair leaking connections with sealant of any kind. Replace o-ring or seal.
- NEVER connect high pressure hose to nozzle extension.
- Keep high pressure hose connected to pump and spray gun while system is pressurized.
- ALWAYS point spray gun in safe direction and squeeze spray gun trigger, to release high pressure, every time you stop engine. Engage trigger lock when not in use.
- NEVER aim spray gun at people, animals, or plants.
- DO NOT secure spray gun in open position.
- DO NOT leave spray gun unattended while machine is running.
- NEVER use a spray gun which does not have a trigger lock or trigger guard in place and in working order.
- Always be certain spray gun, nozzles and accessories are correctly attached.

⚠ WARNING: Unintentional sparking can result in fire or electric shock.



WHEN ADJUSTING OR MAKING REPAIRS TO YOUR PRESSURE WASHER

- Disconnect the spark plug wire from the spark plug and place the wire where it cannot contact spark plug.

WHEN TESTING FOR ENGINE SPARK

- Use approved spark plug tester.
- DO NOT check for spark with spark plug removed.

⚠ WARNING: Starter and other rotating parts can entangle hands, hair, clothing, or accessories.



- NEVER operate pressure washer without protective housing or covers.
- DO NOT wear loose clothing, jewelry or anything that may be caught in the starter or other rotating parts.
- Tie up long hair and remove jewelry.

⚠ WARNING: Risk of eye injury.
Spray can splash back or propel objects.



- Always wear safety goggles when using this equipment or in vicinity of where equipment is in use.
- Before starting the pressure washer, be sure you are wearing adequate safety goggles.
- NEVER substitute safety glasses for safety goggles.

NOTICE: High pressure spray may damage fragile items including glass.

- DO NOT point spray gun at glass when in jet spray mode.
- NEVER aim spray gun at plants.

NOTICE: Improper treatment of pressure washer can damage it and shorten its life.

- If you have questions about intended use, ask dealer or contact Sears.
- NEVER operate units with broken or missing parts, or without protective housing or covers.
- DO NOT by-pass any safety device on this machine.
- DO NOT tamper with governed speed.
- DO NOT operate pressure washer above rated pressure.
- DO NOT modify pressure washer in any way.
- Before starting pressure washer in cold weather, check all parts of the equipment to be sure ice has not formed there.
- NEVER move machine by pulling on hoses. Use handle provided on unit.
- Check fuel system for leaks or signs of deterioration, such as chafed or spongy hose, loose or missing clamps, or damaged tank or cap. Correct all defects before operating pressure washer.
- This equipment is designed to be used with Sears authorized parts **ONLY**. If equipment is used with parts that DO NOT comply with minimum specifications, user assumes all risks and liabilities.

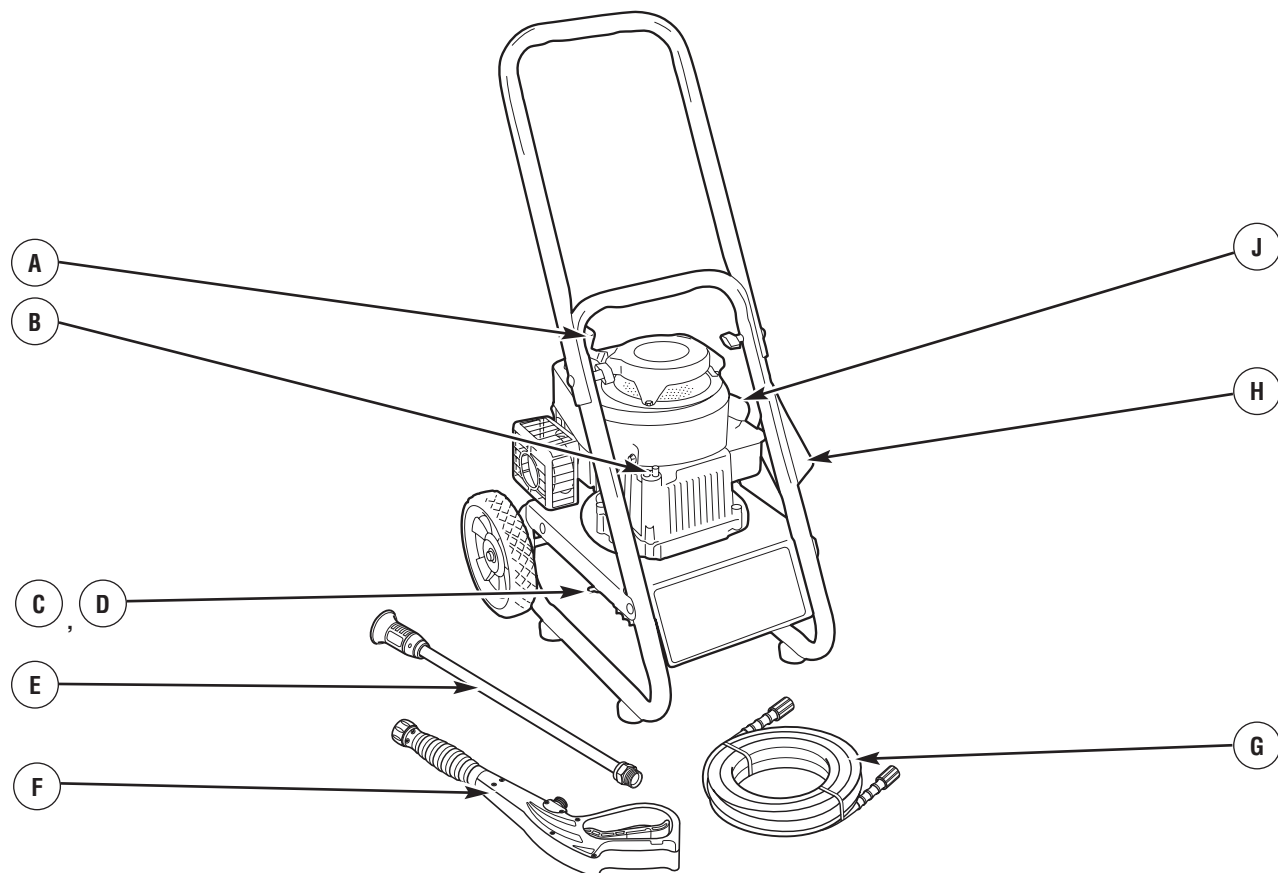
FEATURES AND CONTROLS

KNOW YOUR PRESSURE WASHER



Read the Operator's Manual and safety rules before operating your pressure washer.

Compare the illustrations with your pressure washer to familiarize yourself with the locations of various controls and adjustments. Save this manual for future reference.



- A - Recoil Starter** — Used for starting the engine manually.
- B - Oil Fill/Dipstick** — Check, add and drain engine oil here.
- C - Pump** — Develops high pressure.
- D - Automatic Cool Down System** — Cycles water through pump when water reaches 125°-155°F. Warm water will discharge from pump onto ground. This system prevents internal pump damage.
- E - Adjustable Nozzle Extension** — Attach to spray gun to use adjustable nozzle. Adjust for high or low pressure; narrow or fan spray.
- F - Spray Gun** — Controls the application of water onto cleaning surface with trigger device. Includes trigger lock.
- G - High Pressure Hose** — Connect one end to water pump and the other end to spray gun.
- H - Warning/Operating Instructions Tag** — Identifies hazards and proper procedure to start/stop pressure washer.
- J - Fuel Tank** — Fill tank with regular unleaded fuel. Always leave room for fuel expansion.

Items Not Shown:

- Air Filter** — Protects engine by filtering dust and debris out of intake air.
- Identification Label (near rear of base plate)** — Provides model and serial number of pressure washer. Please have these readily available if calling for assistance.
- High Pressure Outlet** — Connection for high pressure hose.
- Primer Bulb** — Prepares a cold engine for starting.
- Safety Goggles** — Always use the enclosed safety goggles when running your pressure washer.
- Throttle Lever** — Sets engine in starting mode for recoil starter and stops a running engine.
- Water Inlet** — Connection for garden hose.

ASSEMBLY

Your pressure washer requires some assembly and is ready for use only after it has been properly serviced with the recommended oil and fuel.

If you have any problems with the assembly of your pressure washer, please call the pressure washer helpline at 1-800-222-3136.

UNPACK THE PRESSURE WASHER

1. Remove everything from carton except pressure washer.
2. Open carton completely by cutting each corner from top to bottom.
3. Remove pressure washer from carton.

CARTON CONTENTS

Check all contents. If any parts are missing or damaged, call the pressure washer helpline at **1-800-222-3136**.

- Main Unit
- Handle
- Wheel Kit
- High Pressure Hose
- Spray Gun
- Adjustable Nozzle Extension
- Oil Bottle
- Safety Goggles
- Mesh Accessory Bag
- Parts Bag (which includes the following):
 - Operator's Manual

Become familiar with each piece before assembling the pressure washer. Identify all contents with the illustration on page 5. If any parts are missing or damaged, call the pressure washer helpline at **1-800-222-3136**.

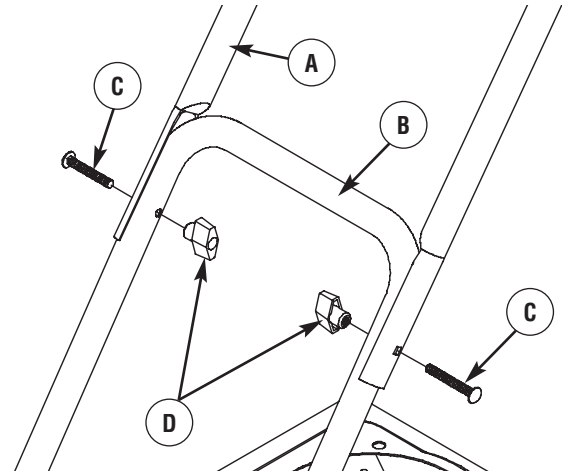
ASSEMBLING PRESSURE WASHER

Your Craftsman pressure washer will need assembly before operation:

1. Attach handle to main unit.
2. Install wheel kit.
3. Add oil to engine crankcase.
4. Add fuel to fuel tank.
5. Connect pressure hose to spray gun and pump.
6. Connect water supply to pump.
7. Attach nozzle extension to spray gun.

Attach Handle

1. Place handle (A) onto base (B). Make sure holes in handle align with holes on base.



2. Insert carriage bolts (C) through holes from outside of unit and attach a plastic knob (D) from inside of unit. Tighten by hand.

Install Wheel Kit

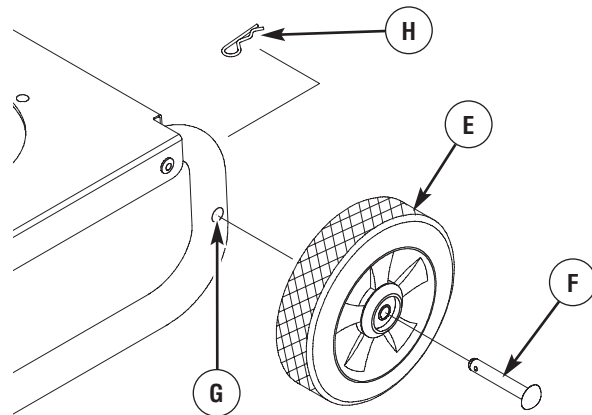
The wheel kit is designed to greatly improve the portability of your pressure washer.

NOTE: Wheel kit is not intended for over-the-road use.

Install the wheel kit as follows:

1. Place the bottom of the pressure washer frame on a flat, even surface.
2. Slide a wheel (E) over the axle pin (F).

NOTE: Be sure to install wheel with raised hub inboard.



3. Slide axle pin through hole (G) in frame.
4. Retain wheel on axle pin with retaining pin (H).
5. Repeat step 2 through 4 to secure second wheel.

Add Engine Oil

1. Place pressure washer on a flat, level surface.
2. Clean area around oil fill and remove yellow oil fill cap/dipstick.
3. Using oil funnel (optional), slowly pour contents of provided oil bottle into oil fill opening.

NOTICE: Improper treatment of pressure washer can damage it and shorten its life.

- DO NOT attempt to crank or start the engine before it has been properly serviced with the recommended oil. This may result in an engine failure.

4. Replace oil fill cap/dipstick and fully tighten.

Add Fuel

Fuel must meet these requirements:

- Clean, fresh, unleaded gasoline.
- A minimum of 87 octane/87 AKI (91 RON). High altitude use, see *High Altitude*.
- Gasoline with up to 10% ethanol (gasohol) or up to 15% MTBE (methyl tertiary butyl ether) is acceptable.

NOTICE: Avoid pressure washer damage.

Failure to follow Operator's Manual for fuel recommendations voids warranty.

- DO NOT use unapproved gasoline such as E85.
- DO NOT mix oil in gasoline.
- DO NOT modify engine to run on alternate fuels.

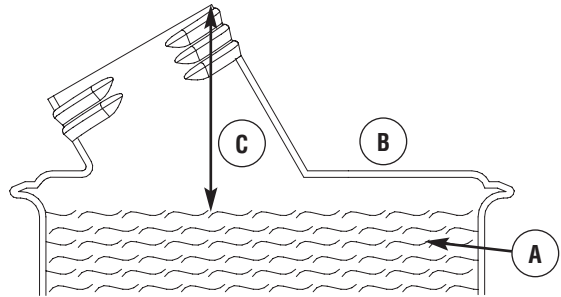
To protect the fuel system from gum formation, mix in a fuel stabilizer when adding fuel. See *Storage*. All fuel is not the same. If you experience starting or performance problems after using fuel, switch to a different fuel provider or change brands. This engine is certified to operate on gasoline. The emission control system for this engine is EM (Engine Modifications).

▲ WARNING: Fuel and its vapors are extremely flammable and explosive. Fire or explosion can cause severe burns or death.

WHEN ADDING FUEL

- Turn pressure washer OFF and let it cool at least 2 minutes before removing fuel cap. Loosen cap slowly to relieve pressure in tank.
- Fill fuel tank outdoors.
- DO NOT overfill tank. Allow space for fuel expansion.
- If fuel spills, wait until it evaporates before starting engine.
- Keep fuel away from sparks, open flames, pilot lights, heat, and other ignition sources.
- DO NOT light a cigarette or smoke.

1. Clean area around fuel fill cap, remove cap.
2. Slowly add regular unleaded fuel (A) to fuel tank (B). Be careful not to overfill. Allow about 1.5" (4 cm) (C) of tank space for fuel expansion.



3. Install fuel cap and wait for any spilled fuel to evaporate.

CAUTION! Alcohol-blended fuels (called gasohol, ethanol or methanol) can attract moisture, which leads to separation and formation of acids during storage. Acidic gas can damage the fuel system of an engine while in storage.

To avoid engine problems, the fuel system should be treated with a fuel preserver or emptied before storage of 30 days or longer. If adding a fuel preserver, fill the fuel tank with fresh fuel. If only partially filled, air in the tank will promote fuel deterioration during storage. If fuel preserver is not used, drain the fuel tank, start the engine and let it run until the fuel lines and carburetor are empty. Use fresh fuel next season. See *Storage* for additional information.

NEVER use engine or carburetor cleaner products in the fuel tank as permanent damage may occur.

High Altitude

At altitudes over 5,000 feet (1524 meters), a minimum 85 octane / 85 AKI (89 RON) gasoline is acceptable. To remain emissions compliant, high altitude adjustment is required. Operation without this adjustment will cause decreased performance, increased fuel consumption, and increased emissions. See a qualified Sears dealer for high altitude adjustment information. Operation of the engine at altitudes below 2,500 feet (762 meters) with the high altitude kit is not recommended.

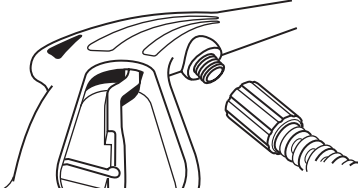
Connect Hose and Water Supply to Pump

NOTICE: DO NOT run the pump without the water supply connected and turned on.

- Damage to equipment resulting from failure to follow this instruction will void warranty.

NOTE: Remove and discard the shipping caps from the pump's high pressure outlet and water inlet before attaching hoses.

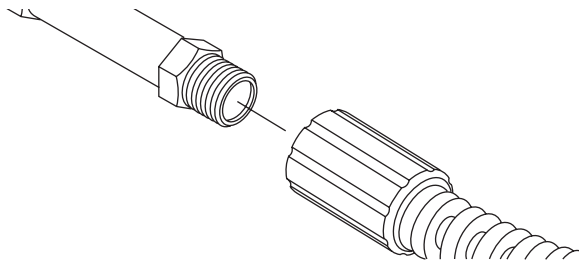
1. Uncoil high pressure hose and attach one end of hose to base of spray gun. Tighten by hand.



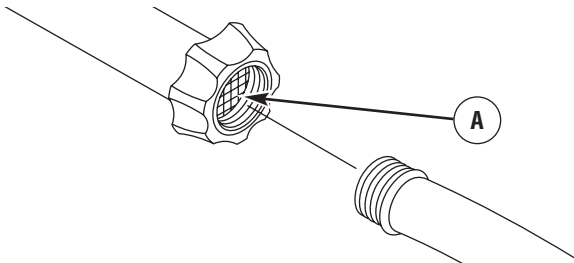
▲ WARNING: The high pressure stream of water that this equipment produces can cut through skin and its underlying tissues, leading to serious injury and possible amputation.

- NEVER connect high pressure hose to nozzle extension.
- Keep high pressure hose connected to pump and spray gun while system is pressurized.
- Always be certain spray gun, nozzles and accessories are correctly attached.

2. Attach other end of high pressure hose to high pressure outlet on pump. Tighten by hand.



3. Before connecting garden hose to water inlet, inspect inlet screen (A). Clean screen if it contains debris or have it replaced if damaged. **DO NOT run pressure washer if inlet screen is damaged or missing.**



4. Run water through garden hose for 30 seconds to flush it of debris. Turn off water.

IMPORTANT: DO NOT siphon standing water for the water supply. Use ONLY cold water (less than 100°F).

NOTICE: Using a One Way Valve (vacuum breaker or check valve) at pump inlet can cause pump or inlet connector damage.

- There MUST be at least ten feet of unrestricted garden hose between the pressure washer inlet and any device, such as a vacuum breaker or check valve.
 - Damage to equipment resulting from failure to follow this instruction will void warranty.
5. Connect garden hose (not to exceed 50 feet in length) to water inlet. Tighten by hand.

▲ WARNING: Risk of eye injury.
Spray can splash back or propel objects.



- Always wear safety goggles when using this equipment or in vicinity of where equipment is in use.
- Before starting the pressure washer, be sure you are wearing adequate safety goggles.
- NEVER substitute safety glasses for safety goggles.

6. Turn ON water, point gun in a safe direction and squeeze trigger to purge pump system of air and impurities.

Checklist Before Starting Engine

Review the unit to ensure you have performed all of the following:

1. Be sure to read *Safety Rules* and *Operation* sections before using the pressure washer.
2. Make sure handle is in place and secure.
3. Check that oil has been added to proper level in engine crankcase.
4. Add proper fuel to fuel tank.
5. Check for proper hose connections (high pressure and water supply) and that there are no kinks, cuts, or damage to the high pressure hose.
6. Provide proper water supply (not to exceed 100°F).

OPERATION

HOW TO USE YOUR PRESSURE WASHER

If you have any problems operating your pressure washer, please call the pressure washer helpline at **1-800-222-3136**.

Pressure Washer Location

Pressure Washer Clearance

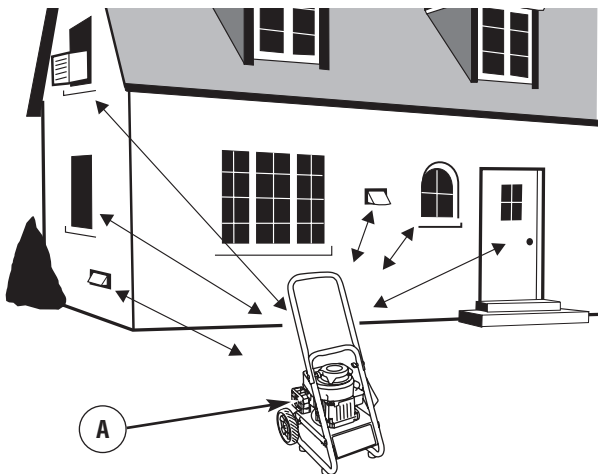
▲ WARNING: Exhaust heat/gases can ignite combustibles, structures or damage fuel tank causing a fire.

- Keep at least 5 ft. (152 cm) clearance on all sides of pressure washer including overhead.

Place pressure washer outdoors in an area that will not accumulate deadly exhaust gas. **DO NOT** place pressure washer where exhaust gas (**A**) could accumulate and enter inside or be drawn into a potentially occupied building. Ensure exhaust gas is kept away from any windows, doors, ventilation intakes, or other openings that can allow exhaust gas to collect in a confined area. Prevailing winds and air currents should be taken into consideration when positioning pressure washer.

▲ WARNING: Running engine gives off carbon monoxide, an odorless, colorless, poisonous gas. Breathing carbon monoxide can cause headache, fatigue, dizziness, vomiting, confusion, seizures, nausea, fainting or death.

- Operate pressure washer **ONLY** outdoors.
- Keep exhaust gas from entering a confined area through windows, doors, ventilation intakes, or other openings.
- **DO NOT** start or run engine indoors or in an enclosed area, even if windows and doors are open.



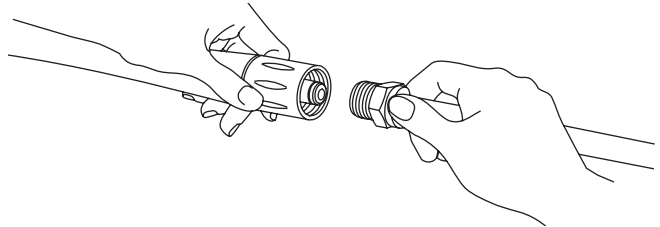
To Start Your Pressure Washer

To start your engine-powered pressure washer for the first time, follow these instructions step-by-step. This information also applies whenever you start the engine after you have let the pressure washer sit idle for at least a day.

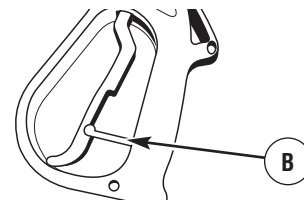
1. Place pressure washer outside near an water source capable of supplying water at a flow rate greater than 2.9 gallons per minute and no less than 20 PSI at pressure washer end of garden hose.
2. Check that high pressure hose is tightly connected to spray gun and pump. See *Assembly* for illustrations.
3. Make sure unit is in a level position.
4. Connect garden hose to water inlet on pressure washer pump.

NOTICE: **DO NOT** run the pump without the water supply connected and turned on.

- Damage to equipment resulting from failure to follow this instruction will void warranty.
5. Turn ON water, point gun in a safe direction and squeeze trigger to purge pump system of air and impurities.
 6. Attach nozzle extension to spray gun. Tighten by hand.



7. Engage trigger lock (**B**) on spray gun trigger.



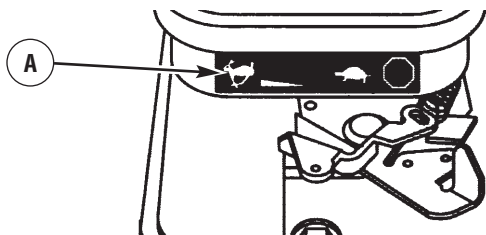
IMPORTANT: Before starting the pressure washer, be sure you are wearing adequate safety goggles.

▲ WARNING: Risk of eye injury. Spray can splash back or propel objects.



- Always wear safety goggles when using this equipment or in vicinity of where equipment is in use.
- Before starting the pressure washer, be sure you are wearing adequate safety goggles.
- **NEVER** substitute safety glasses for safety goggles.

8. Move throttle lever to “Fast” position (A), shown as a rabbit.



To start the engine for the very first time:

- 9A. Push primer bulb firmly 5 times, waiting 2 seconds between each push.

To start engine thereafter:

- 9B. Press primer bulb firmly 3 times, waiting 2 seconds between each push. For a warm engine, DO NOT press primer bulb.
10. When starting engine, position yourself as recommended and grasp starter grip handle and pull slowly until you feel some resistance. Then pull rapidly to start engine.



11. Return recoil starter slowly. DO NOT let rope “snap back” against starter.

NOTE: Always keep the throttle lever in the “Fast” position when operating the pressure washer.

▲ WARNING: The high pressure stream of water that this equipment produces can cut through skin and its underlying tissues, leading to serious injury and possible amputation.

Spray gun traps high water pressure, even when engine is stopped and water is disconnected, which can cause injury.

- DO NOT allow CHILDREN to operate pressure washer.
- Keep high pressure hose connected to pump and spray gun while system is pressurized.
- NEVER aim spray gun at people, animals, or plants.
- DO NOT secure spray gun in open position.
- DO NOT leave spray gun unattended while machine is running.
- NEVER use a spray gun which does not have a trigger lock or trigger guard in place and in working order.
- Always be certain spray gun, nozzles and accessories are correctly attached.

▲ WARNING: Contact with muffler area can result in serious burns.



Exhaust heat/gases can ignite combustibles, structures or damage fuel tank causing a fire.

- DO NOT touch hot parts and AVOID hot exhaust gases.
- Allow equipment to cool before touching.
- Keep at least 5 feet (152 cm) of clearance on all sides of pressure washer including overhead.
- It is a violation of California Public Resource Code, Section 4442, to use or operate the engine on any forest-covered, brush-covered, or grass-covered land unless the exhaust system is equipped with a spark arrester, as defined in Section 4442, maintained in effective working order. Other states or federal jurisdictions may have similar laws.

Contact the original equipment manufacturer, retailer, or dealer to obtain a spark arrester designed for the exhaust system installed on this engine.

- Replacement parts must be the same and installed in the same position as the original parts.

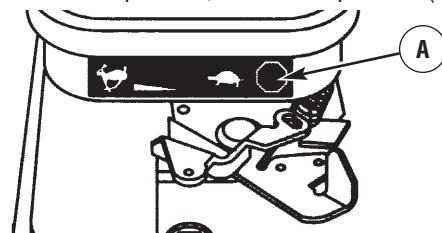
▲ WARNING: Starter cord kickback (rapid retraction) can result in bodily injury. Kickback will pull hand and arm toward engine faster than you can let go. Broken bones, fractures, bruises, or sprains could result.



- NEVER pull starter cord without first relieving spray gun pressure.
- When starting engine, pull cord slowly until resistance is felt and then pull rapidly to avoid kickback.
- After each starting attempt, where engine fails to run, always point spray gun in safe direction and squeeze spray gun trigger to release high pressure. Engage spray gun trigger lock.
- Firmly grasp spray gun with both hands when using high pressure spray to avoid injury when spray gun kicks back.

How to Stop Your Pressure Washer

1. Release spray gun trigger and let engine idle for two minutes.
2. Move throttle to SLOW position, then STOP position (A).



3. ALWAYS point spray gun in a safe direction and squeeze spray gun trigger to release retained high water pressure.

IMPORTANT: Spray gun traps high water pressure, even when engine is stopped and water is disconnected.

4. Engage trigger lock on spray gun when not in use.

▲ WARNING: The high pressure stream of water that this equipment produces can cut through skin and its underlying tissues, leading to serious injury and possible amputation.



Spray gun traps high water pressure, even when engine is stopped and water is disconnected, which can cause injury.

- Keep high pressure hose connected to pump and spray gun while system is pressurized.
- ALWAYS point spray gun in safe direction and squeeze spray gun trigger, to release high pressure, every time you stop engine. Engage trigger lock when not in use.

How To Use the Adjustable Nozzle

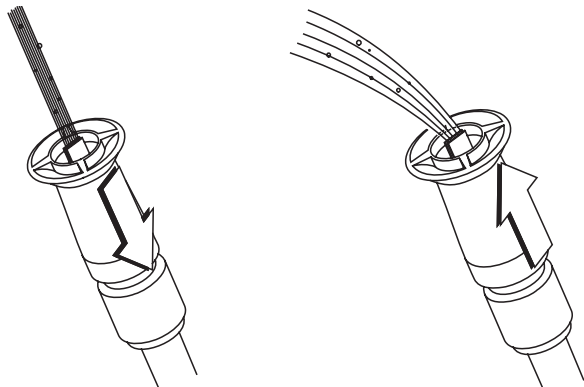
You should now know how to **START** and **STOP** your pressure washer. The information in this section will tell you how to adjust the spray pattern and to apply pressure washer specific detergents.

▲ WARNING: The high pressure stream of water that this equipment produces can cut through skin and its underlying tissues, leading to serious injury and possible amputation.

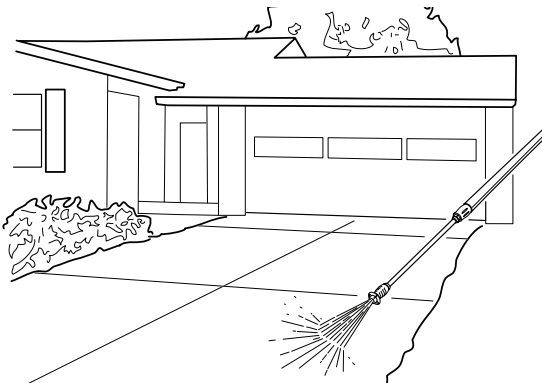


- NEVER adjust spray pattern when spraying.
- NEVER put hands in front of nozzle to adjust spray pattern.

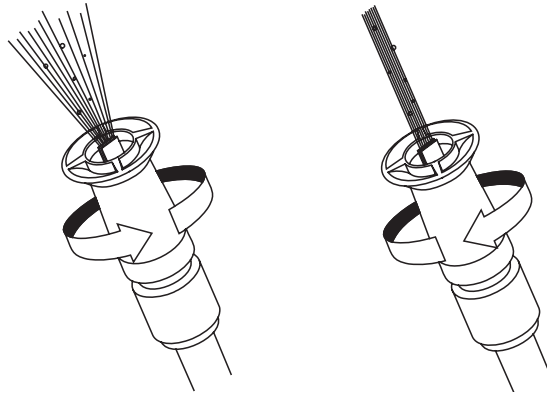
1. Slide nozzle backward to achieve high pressure. Slide nozzle forward when you wish to adjust spray to low pressure mode.



2. Point nozzle down towards a firm surface, disengage trigger lock, and press trigger to test pattern.



3. Twisting nozzle adjusts spray pattern from a fan pattern to a narrow pattern.



Usage Tips

- For most effective cleaning, keep spray nozzle from 8 to 24 inches away from cleaning surface.
- If you get spray nozzle too close, especially using high pressure mode, you may damage surface being cleaned.
- DO NOT get closer than 6 inches when cleaning tires.

Applying Detergent with Adjustable Nozzle

▲ CAUTION: Chemicals can cause bodily injury, and/or property damage.

- NEVER use caustic liquid with pressure washer.
- Use ONLY pressure washer safe detergents/soaps. Follow all manufacturers instructions.

To apply detergent, follow these steps:

1. Review use of adjustable nozzle.
2. Prepare detergent solution as required by job.
3. Place filter end of detergent siphoning tube into detergent container.

NOTE: Make sure the filter is fully submerged in detergent while applying detergent.

NOTICE: Contact with the hot muffler can damage detergent siphoning tube.

- When inserting the siphon into a detergent solution bottle, route the tube so as to keep it from inadvertently contacting the hot muffler.

4. Slide adjustable nozzle forward to low pressure mode.

NOTE: Detergent cannot be applied with nozzle in high pressure position.

5. Make sure garden hose is connected to water inlet. Check that high pressure hose is connected to spray gun and pump. Turn on water.

NOTICE: You must attach all hoses before you start the engine.

- Starting the engine without all the hoses connected and without the water turned ON will damage the pump.
- Damage to equipment resulting from failure to follow this instruction will void warranty.

6. Engage trigger lock on spray gun and start engine following instructions *How to Start Your Pressure Washer*.
7. Apply detergent to a dry surface, starting at lower portion of area to be washed and work upward, using long, even, overlapping strokes.
8. Allow detergent to "soak in" for 3-5 minutes before washing and rinsing. Reapply as needed to prevent surface from drying. DO NOT allow detergent to dry on (prevents streaking).

IMPORTANT: You must flush the detergent siphoning system after each use by placing the filter into a bucket of clean water, then run the pressure washer in low pressure for 1-2 minutes.

Pressure Washer Rinsing

For Rinsing:

1. Slide nozzle backward to high pressure, press trigger and wait for detergent to clear.

NOTE: You can also stop detergent flow by removing detergent siphoning tube from container.

2. Keep spray gun a safe distance from area you plan to spray.

▲ WARNING: Kickback from spray gun can cause you to fall.



- Operate pressure washer from a stable surface.
- Be extremely careful if you must use the pressure washer from a ladder, scaffolding, or any other similar location.
- Firmly grasp spray gun with both hands when using high pressure spray to avoid injury when spray gun kicks back.

3. Apply a high pressure spray to a small area, then check surface for damage. If no damage is found, it is okay to continue cleaning.
4. Start at top of area to be rinsed, working down with same overlapping strokes as you used for washing and applying detergent.

Cleaning Detergent Siphoning Tube

If you used the detergent siphoning tube, you must flush it with clean water before stopping the engine.

1. Place detergent siphoning tube/filter in a bucket full of clean water.
2. Engage trigger lock on spray gun.
3. Slide adjustable nozzle forward to low pressure position.
4. Flush for 1-2 minutes.
5. Shut off engine following instructions *How to Stop Pressure Washer* and turn off water supply.
6. ALWAYS point gun in a safe direction and squeeze spray gun trigger to release retained high water pressure.

IMPORTANT: Spray gun traps high water pressure, even when engine is stopped and water is disconnected.

▲ WARNING: The high pressure stream of water that this equipment produces can cut through skin and its underlying tissues, leading to serious injury and possible amputation.



Spray gun traps high water pressure, even when engine is stopped and water is disconnected, which can cause injury.

- Keep high pressure hose connected to pump and spray gun while system is pressurized.
- ALWAYS point spray gun in safe direction and squeeze spray gun trigger, to release high pressure, every time you stop engine. Engage trigger lock when not in use.

Automatic Cool Down System (Thermal Relief)

If you run the engine on your pressure washer for 3-5 minutes without pressing the trigger on the spray gun, circulating water in the pump can reach temperatures above 125°F. The system engages to cool the pump by **discharging the warm water onto the ground.**

SPECIFICATIONS

ENGINE TECHNICAL INFORMATION

This is a single cylinder, L-head, air cooled engine. It is a low emissions engine.

In the State of California, Model 90000 engines are certified by the California Air Resources Board to meet emissions standards for 125 hours. Such certification does not grant the purchaser, owner or operator of this engine any additional warranties with respect to the performance or operational life of this engine. The engine is warranted solely according to the product and emissions warranties stated elsewhere in this manual.

Power Ratings

The gross power rating for individual gas engine models is labeled in accordance with SAE (Society of Automotive Engineers) code J1940 (Small Engine Power & Torque Rating Procedure), and rating performance has been obtained and corrected in accordance with SAE J1995 (Revision 2002-05). Torque values are derived at 3060 RPM; horsepower values are derived at 3600 RPM. Actual gross engine power will be lower and is affected by, among other things, ambient operating conditions and engine-to-engine variability. Given both the wide array of products on which engines are placed and the variety of environmental issues applicable to operating the equipment, the gas engine will not develop the rated gross power when used in a given piece of power equipment (actual "on-site" or net power). This difference is due to a variety of factors including, but not limited to, accessories (air cleaner, exhaust, charging, cooling, carburetor, fuel pump, etc.), application limitations, ambient operating conditions (temperature, humidity, altitude), and engine-to-engine variability. Due to manufacturing and capacity limitations, Briggs & Stratton may substitute an engine of higher rated power for this Series engine.

This pressure washer is rated in accordance to the Pressure Washer Manufacture Association (PWMA) standard PW101 (Testing and Rating Performance of Pressure Washers).

PRODUCT SPECIFICATIONS

Pressure Washer Specifications

Outlet Pressure 2,000 PSI
Flow Rate 1.9 GPM
Detergent Mix Use as directed
Water Supply Temperature Not to exceed 100°F

Engine Specifications

Bore 2.562 in. (65.09 mm)
Stroke 1.75 in. (44.45 mm)
Displacement 9.02 in. (147.8 cc)
Spark Plug
Type: Briggs & Stratton 802592 or 5095D
Set Gap To: 0.030inch (0.76mm)
Armature Air Gap: 0.006-0.010 in. (0.15-0.25mm)
Valve clearance with valve springs installed and piston 1/4 in. (6 mm) past top dead center (check when engine is cold).
Intake 0.005-0.007 in. (0.13-0.18 mm)
Exhaust 0.007-0.009 in. (0.18-0.23 mm)
Fuel Capacity 1.0 Quarts (0.95 Liters)
Oil Capacity 18 Ounces (0.5 liter)

NOTE: For practical operation, the engine load should not exceed 85% of rated power. Engine power will decrease 3-1/2% for each 1,000 feet (300 meters) above sea level and 1% for each 10° F (5.6° C) above 77° F (25° C). It should operate satisfactorily at an angle up to 15°.

MAINTENANCE

OWNER'S RESPONSIBILITIES

Follow the hourly or calendar intervals, whichever occurs first.

More frequent service is required when operating in adverse conditions noted below.

First 5 Hours
<ul style="list-style-type: none">• Change engine oil
Every 8 Hours or Daily
<ul style="list-style-type: none">• Check/clean water inlet screen¹• Check high pressure hose• Check detergent siphoning hose• Check spray gun and assembly for leaks• Clean debris• Check engine oil level
Every 25 Hours or Yearly
<ul style="list-style-type: none">• Service air cleaner²
Every 50 Hours or Yearly
<ul style="list-style-type: none">• Change engine oil• Inspect muffler and spark arrester
Every 100 Hours or Yearly
<ul style="list-style-type: none">• Service spark plug• Air cooling system²

¹ Clean if clogged. Replace if perforated or torn.

² Service more often under dirty or dusty conditions.

General Recommendations

Regular maintenance will improve the performance and extend the life of the pressure washer. See any Sears or other qualified service dealer for service.

The pressure washer warranty does not cover items that have been subjected to operator abuse or negligence. To receive full value from the warranty, the operator must maintain pressure washer as instructed in this manual including proper storage as detailed in *Storage*.

Some adjustments will need to be made periodically to properly maintain your pressure washer.

All service and adjustments should be made at least once each season. Follow the requirements in the *Maintenance Schedule* chart above.

NOTE: Once a year you should clean or replace the spark plug and replace the air filter. A new spark plug and clean air filter assure proper fuel-air mixture and help your engine run better and last longer.

Pump Oil

DO NOT attempt any oil maintenance on this pump. The pump is pre-lubricated and sealed from the factory, requiring no additional maintenance for the life of the pump.

Emissions Control

Maintenance, replacement, or repair of the emissions control devices and systems may be performed by any non-road engine repair establishment or individual. However, to obtain "no charge" emissions control service, the work must be performed by a qualified service dealer. See the *Emissions Warranty*.

Before Each Use

1. Check engine oil level.
2. Clean debris.
3. Check water inlet screen for damage.
4. Check high pressure hose for leaks.
5. Check detergent siphoning hose/filter for damage.
6. Check gun and nozzle extension assembly for leaks.
7. Purge pump of air and contaminants.

PRESSURE WASHER MAINTENANCE

Clean Debris

Daily or before use, clean accumulated debris from pressure washer. Keep linkage, spring and controls clean. Keep area around and behind muffler free from any combustible debris. Inspect cooling air slots and openings on the pressure washer. These openings must be kept clean and unobstructed.

Pressure washer parts should be kept clean to reduce the risk of overheating and ignition of accumulated debris.

- Use a damp cloth to wipe exterior surfaces clean.

NOTICE: Improper treatment of pressure washer can damage it and shorten its life.

- DO NOT insert any objects through cooling slots.

- Use a soft bristle brush to loosen caked on dirt, oil, etc.
- Use a vacuum cleaner to pick up loose dirt and debris.

Check and Clean Inlet Screen

Examine garden hose inlet screen. Clean if it is clogged or replace if it is torn.

Check High Pressure Hose

High pressure hoses can develop leaks from wear, kinking, or abuse. Inspect hose before each use. Check for cuts, leaks, abrasions, bulging of cover, or damage or movement of couplings. If any of these conditions exist, replace hose immediately.

- ⚠ WARNING:** The high pressure stream of water that this equipment produces can cut through skin and its underlying tissues, leading to serious injury and possible amputation.
- NEVER repair high pressure hose. Replace it.
 - Replacement hose rating MUST exceed maximum pressure rating of unit.

Check Detergent Siphoning Tube

Examine the filter on the detergent tube and clean if clogged. The tube should fit tightly on the barbed fitting. Examine the tube for leaks or tears. Replace the filter or tube if either is damaged.

Check Gun and Nozzle Extension

Examine hose connection to spray gun and make sure it is secure. Test trigger by pressing it and making sure it springs back into place when you release it. Put safety latch in UP position and test trigger. You should not be able to press trigger. Replace spray gun immediately if it fails any of these tests.

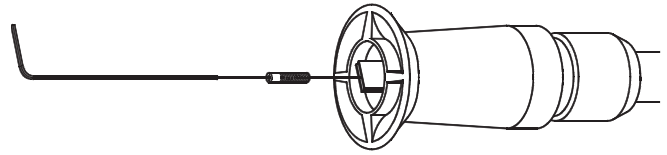
Nozzle Maintenance

A pulsing sensation felt while squeezing the spray gun trigger may be caused by excessive pump pressure. The principal cause of excessive pump pressure is a orifice clogged or restricted with foreign materials, such as dirt, etc. To correct the problem, immediately clean the orifice following these instructions:

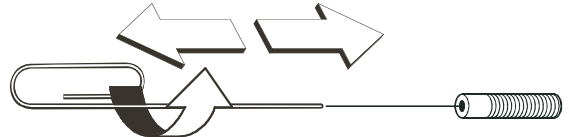
1. Shut off engine and turn off water supply.
2. ALWAYS point gun in a safe direction and squeeze spray gun trigger to release retained high water pressure.

- ⚠ WARNING:** The high pressure stream of water that this equipment produces can cut through skin and its underlying tissues, leading to serious injury and possible amputation.
- Spray gun traps high water pressure, even when engine is stopped and water is disconnected, which can cause injury.
- Keep high pressure hose connected to pump and spray gun while system is pressurized.
 - ALWAYS point spray gun in safe direction and squeeze spray gun trigger, to release high pressure, every time you stop engine. Engage trigger lock when not in use.

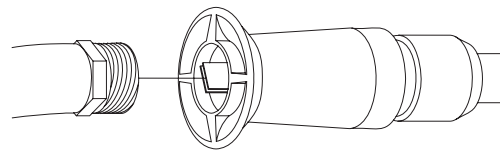
3. Remove nozzle extension from spray gun.
4. Twist nozzle clockwise to stream position. Using a 2mm (5/64) allen wrench, remove orifice from end of nozzle extension.



5. Use a small paper clip to free any foreign material clogging or restricting orifice.



6. Using a garden hose, remove additional debris by back flushing water through nozzle extension. Back flush between 30 to 60 seconds. Turn adjustable nozzle extension to stream spray and move nozzle from low to high while flushing.



7. Reinstall orifice into nozzle extension. DO NOT overtighten orifice with allen wrench.
8. Reconnect nozzle extension to spray gun.
9. Make sure garden hose is connected to water inlet. Check that high pressure hose is connected to spray gun and pump. Turn on water.
10. Engage trigger lock on spray gun and start engine following instructions *How to Start Your Pressure Washer*.
11. Test pressure washer by operating nozzle in high and low positions.

O-Ring Maintenance

Purchase an O-Ring Repair Kit at your local Sears or by calling **1-800-4-MY-HOME (469-4663)** or online at www.sears.ca. It is not included with the pressure washer. This kit includes replacement o-rings, rubber washer and water inlet filter. Refer to the instruction sheet provided in the kit to service your unit's o-rings.

- ⚠ WARNING:** The high pressure stream of water that this equipment produces can cut through skin and its underlying tissues, leading to serious injury and possible amputation.
- NEVER repair leaking connections with sealant of any kind. Replace o-ring or seal.

ENGINE MAINTENANCE

⚠ WARNING: Unintentional sparking can result in fire or electric shock.



WHEN ADJUSTING OR MAKING REPAIRS TO YOUR PRESSURE WASHER

- Disconnect the spark plug wire from the spark plug and place the wire where it cannot contact spark plug.

WHEN TESTING FOR ENGINE SPARK

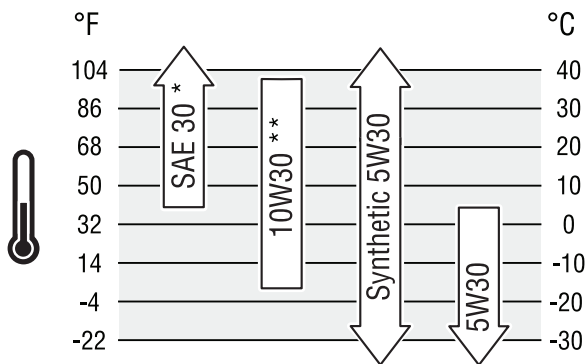
- Use approved spark plug tester.
- DO NOT check for spark with spark plug removed.

Oil

Oil Recommendations

We recommend the use of Briggs & Stratton Warranty Certified oils for best performance. Other high-quality detergent oils are acceptable if classified for service SF, SG, SH, SJ or higher. DO NOT use special additives.

Outdoor temperatures determine the proper oil viscosity for the engine. Use the chart to select the best viscosity for the outdoor temperature range expected.



* Below 40°F (4°C) the use of SAE 30 will result in hard starting.

** Above 80°F (27°C) the use of 10W30 may cause increased oil consumption. Check oil level more frequently.

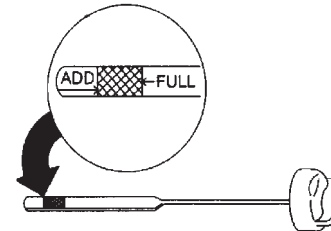


NOTE: Synthetic oil meeting ILSAC GF-2, API certification mark and API service symbol with “SJ/CF ENERGY CONSERVING” or higher, is an acceptable oil at all temperatures. Use of synthetic oil does not alter required oil change intervals.

Checking Oil Level

Oil level should be checked prior to each use or at least every 8 hours of operation. Keep oil level maintained.

1. Make sure pressure washer is on a level surface.
2. Remove oil dipstick and wipe dipstick with clean cloth. Replace and tighten dipstick. Remove and check oil level.
3. Verify oil is at “Full” mark on dipstick. Replace and tighten dipstick.



Adding Engine Oil

1. Make sure pressure washer is on a level surface.
2. Check oil level as described in *Checking Oil Level*.
3. If needed, slowly pour oil into oil fill opening to the “Full” mark on dipstick. DO NOT overfill.

NOTICE: Overfilling with oil may cause the engine to not start, or hard starting.

- DO NOT overfill.
 - If over the FULL mark on dipstick, drain oil to reduce oil level to FULL mark on dipstick.
4. Replace and tighten dipstick.

Changing Engine Oil

If you are using your pressure washer under extremely dirty or dusty conditions, or in extremely hot weather, change oil more often.

⚠ CAUTION: Avoid prolonged or repeated skin contact with used motor oil.

- Used motor oil has been shown to cause skin cancer in certain laboratory animals.
- Thoroughly wash exposed areas with soap and water.



KEEP OUT OF REACH OF CHILDREN. DON'T POLLUTE. CONSERVE RESOURCES. RETURN USED OIL TO COLLECTION CENTERS.

Change oil while engine is still warm from running, as follows:

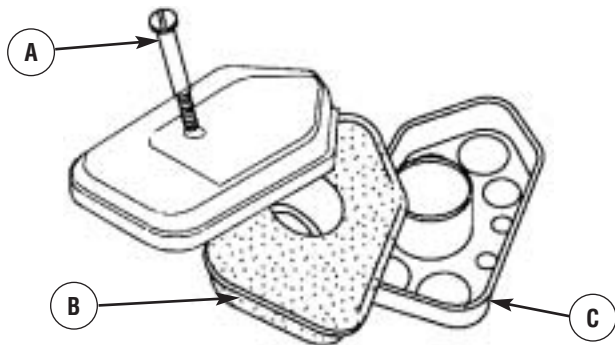
1. Drain fuel tank by running pressure washer until fuel tank is empty.
2. Disconnect spark plug wire and keep it away from spark plug.
3. Clean area around oil fill, remove oil fill cap/dipstick. Wipe dipstick clean.
4. Tip your pressure washer to drain oil from oil fill into a suitable container making sure you tip your unit away from spark plug. When crankcase is empty, return pressure washer to upright position.
5. Slowly pour recommended oil (about 18 oz.) into oil fill opening. Pause to permit oil to settle. Fill to "Full" mark on dipstick.
6. Wipe dipstick clean each time oil level is checked. DO NOT overfill.
7. Replace and tighten dipstick.
8. Wipe up any remaining oil.
9. Reconnect spark plug wire to spark plug.

Service Air Cleaner

Your engine will not run properly and may be damaged if you run it with a dirty air cleaner. Service more often if operating under dirty or dusty conditions. Replacements are available at your local Sears service center.

To service the air cleaner, follow these steps:

1. Remove screw (A).



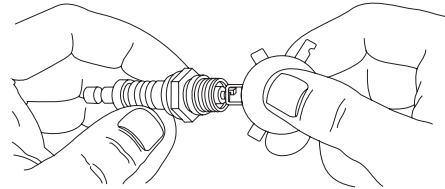
2. Carefully remove air cleaner assembly to prevent debris from falling into carburetor.
3. Take air cleaner assembly apart and clean all parts. Wash foam air cleaner (B) in liquid detergent and water. Squeeze dry in a clean cloth.
4. SATURATE foam air cleaner in engine oil and squeeze in a clean cloth to remove excess oil.
5. Reinstall clean or new foam air cleaner in base (C).
6. Install air cleaner securely on carburetor with screw.

NOTE: You can purchase new air filter elements by calling 1-800-4-MY-HOME (469-4663).

Service Spark Plug

Changing the spark plug will help your engine to start easier and run better.

1. Clean area around spark plug.
2. Remove and inspect spark plug.
3. Replace spark plug if electrodes are pitted, burned or porcelain is cracked. Use the recommended replacement plug. See *Specifications*.
4. Check electrode gap with wire feeler gauge and reset spark plug gap to recommended gap if necessary (see *Specifications*).



5. Install spark plug and tighten firmly.

NOTE: You can purchase a new spark plug by calling 1-800-4-MY-HOME (469-4663).

Inspect Muffler and Spark Arrester

Inspect the muffler for cracks, corrosion, or other damage. Remove the spark arrester, if equipped, and inspect for damage or carbon blockage. If replacement parts are required, make sure to use only original equipment replacement parts.

NOTE: If you need to order a spark arrester, please call 1-800-4-MY-HOME (469-4663).

▲ WARNING: Contact with muffler area can result in serious burns.



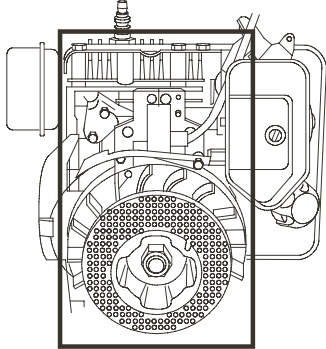
Exhaust heat/gases can ignite combustibles, structures or damage fuel tank causing a fire.

- DO NOT touch hot parts and AVOID hot exhaust gases.
 - Allow equipment to cool before touching.
 - Keep at least 5 feet (152 cm) of clearance on all sides of pressure washer including overhead.
 - It is a violation of California Public Resource Code, Section 4442, to use or operate the engine on any forest-covered, brush-covered, or grass-covered land unless the exhaust system is equipped with a spark arrester, as defined in Section 4442, maintained in effective working order. Other states or federal jurisdictions may have similar laws.
- Contact the original equipment manufacturer, retailer, or dealer to obtain a spark arrester designed for the exhaust system installed on this engine.
- Replacement parts must be the same and installed in the same position as the original parts.

Air Cooling System

Over time debris may accumulate in cylinder cooling fins and cannot be observed without partial engine disassembly. For this reason, we recommend you have a qualified Sears service dealer clean the cooling system per recommended intervals (see *Maintenance Schedule*). Equally important is to keep top of engine free from debris. See *Clean Debris*.

Keep areas within heavy line clear of debris.



AFTER EACH USE

Water should not remain in the unit for long periods of time. Sediments or minerals can deposit on pump parts and “freeze” pump action. Follow these procedures after every use:

1. Shut off engine, turn off water supply, point gun in a safe direction and squeeze trigger to relieve trapped pressure, engage trigger lock on spray gun and let engine cool.

▲ WARNING: The high pressure stream of water that this equipment produces can cut through skin and its underlying tissues, leading to serious injury and possible amputation.

Spray gun traps high water pressure, even when engine is stopped and water is disconnected, which can cause injury.

- Keep high pressure hose connected to pump and spray gun while system is pressurized.
 - ALWAYS point spray gun in safe direction and squeeze spray gun trigger, to release high pressure, every time you stop engine. Engage trigger lock when not in use.
2. Disconnect hose from spray gun and high pressure outlet on pump. Drain water from hose, gun, and nozzle extension. Use a rag to wipe off the hose.
 3. Empty pump of all pumped liquids by pulling recoil handle about 6 times. This should remove most liquid in pump.
 4. Store unit in a clean, dry area.
 5. If storing for more than 30 days see *Long Term Storage* on next page.

▲ WARNING: Fuel and its vapors are extremely flammable and explosive. Fire or explosion can cause severe burns or death.

WHEN STORING FUEL OR EQUIPMENT WITH FUEL IN TANK

- Store away from furnaces, stoves, water heaters, clothes dryers, or other appliances that have pilot light or other ignition source because they can ignite fuel vapors.

STORAGE

WINTER STORAGE

NOTICE: You must protect your unit from freezing temperatures.

- Failure to do so will permanently damage your pump and render your unit inoperable.
- Freeze damage is not covered under warranty.

To protect the unit from freezing temperatures:

1. Follow steps 1-3 in the previous section *After Each Use*.
2. Use pump saver to treat pump. This minimizes freeze damage and lubricates pistons and seals.
3. If pump saver is not available, connect a 3-foot section of garden hose to water inlet adapter. Pour RV-antifreeze (antifreeze without alcohol) into hose. Pull recoil handle twice. Disconnect 3-foot hose.
4. Store unit in a clean, dry area.

LONG TERM STORAGE

If you do not plan to use the pressure washer for more than 30 days, you must prepare the engine and pump for long term storage.

It is important to prevent gum deposits from forming in essential fuel system parts such as the carburetor, fuel filter, fuel hose or tank during storage. Also, experience indicates that alcohol-blended fuels (called gasohol, ethanol or methanol) can attract moisture, which leads to separation and formation of acids during storage. Acidic gas can damage the fuel system of an engine while in storage.

Protect Fuel System

Fuel Additive:

Fuel can become stale when stored over 30 days. Stale fuel causes acid and gum deposits to form in the fuel system or on essential carburetor parts. To keep fuel fresh, use Briggs & Stratton FRESH START® fuel stabilizer, available as a liquid additive or a drip concentrate cartridge.

There is no need to drain gasoline from the engine if a fuel stabilizer is added according to instructions. Run the engine for 2 minutes to circulate the stabilizer throughout the fuel system. The engine and fuel can then be stored up to 24 months.

If gasoline in the engine has not been treated with a fuel stabilizer, it must be drained into an approved container. Run the engine until it stops from lack of fuel. The use of a fuel stabilizer in the storage container is recommended to maintain freshness.

Change Oil

While engine is still warm, drain oil from crankcase. Refill with recommended grade. See *Changing Engine Oil*.

Oil Cylinder Bore

- Remove spark plug and pour about 1/2 ounce (15 ml) of clean engine oil into the cylinder.
- Install spark plug and pull starter handle slowly to distribute oil.

Protect Pump

To protect the pump from damage caused by mineral deposits or freezing, use PumpSaver to treat pump. This prevents freeze damage and lubricates pistons and seals.

NOTE: PumpSaver is available as an optional accessory. It is not included with the pressure washer. Contact your local Sears service center to purchase PumpSaver.

NOTICE: You must protect your unit from freezing temperatures.

- Failure to do so will permanently damage your pump and render your unit inoperable.
- Freeze damage is not covered under warranty.

To use PumpSaver, make sure the pressure washer is turned off and disconnected from supply water. Read and follow all instructions and warnings given on the PumpSaver container.

Other Storage Tips

1. DO NOT store fuel from one season to another unless it has been treated as described in *Protect Fuel System*.
2. Replace fuel container if it starts to rust. Rust and/or dirt in fuel can cause problems if it's used with this unit.
3. Cover unit with a suitable protective cover that does not retain moisture.

▲ WARNING: Storage covers can be flammable.



- DO NOT place a storage cover over a hot pressure washer.
- Let equipment cool for a sufficient time before placing the cover on the equipment.

4. Store unit in a clean and dry area.

TROUBLESHOOTING

Problem	Cause	Correction
Pump has following problems: failure to produce pressure, erratic pressure, chattering, loss of pressure, low water volume.	<ol style="list-style-type: none"> 1. Nozzle in low pressure mode. 2. Water inlet is blocked. 3. Inadequate water supply. 4. Inlet hose is kinked or leaking. 5. Clogged inlet hose strainer. 6. Water supply is over 100°F. 7. High pressure hose is blocked or leaks. 8. Gun leaks. 9. Orifice is obstructed. 10. Pump is faulty. 	<ol style="list-style-type: none"> 1. Pull nozzle backward for high pressure mode. 2. Clear inlet. 3. Provide adequate water flow. 4. Straighten inlet hose, patch leak. 5. Check and clean inlet hose strainer. 6. Provide cooler water supply. 7. Clear blocks in outlet hose. 8. Replace gun. 9. Clean orifice. 10. Contact Sears service facility.
Detergent fails to mix with spray.	<ol style="list-style-type: none"> 1. Detergent siphoning tube is not submerged. 2. Detergent filter is clogged. 3. Nozzle is in high pressure mode. 	<ol style="list-style-type: none"> 1. Insert detergent siphoning tube into detergent. 2. Clean or replace filter/detergent siphoning tube. 3. Push nozzle forward for low pressure mode.
Engine runs good at no-load but "bogs" when load is added.	Engine speed is too slow.	Move throttle control to FAST position. If engine still "bogs down", contact Sears service facility.
Engine will not start; or starts and runs rough.	<ol style="list-style-type: none"> 1. Dirty air cleaner. 2. Out of fuel. 3. Stale fuel. 4. Spark plug wire not connected to spark plug. 5. Bad spark plug. 6. Water in fuel. 7. Excessively rich fuel mixture. 8. Intake valve stuck open or closed. 9. Engine has lost compression. 	<ol style="list-style-type: none"> 1. Clean or replace air cleaner. 2. Fill fuel tank. 3. Drain fuel tank; fill with fresh fuel. 4. Connect wire to spark plug. 5. Replace spark plug. 6. Drain fuel tank; fill with fresh fuel. 7. Contact Sears service facility. 8. Contact Sears service facility. 9. Contact Sears service facility.
Engine shuts down during operation.	Out of fuel.	Fill fuel tank.
Engine lacks power.	Dirty air filter.	Replace air filter.

NOTES

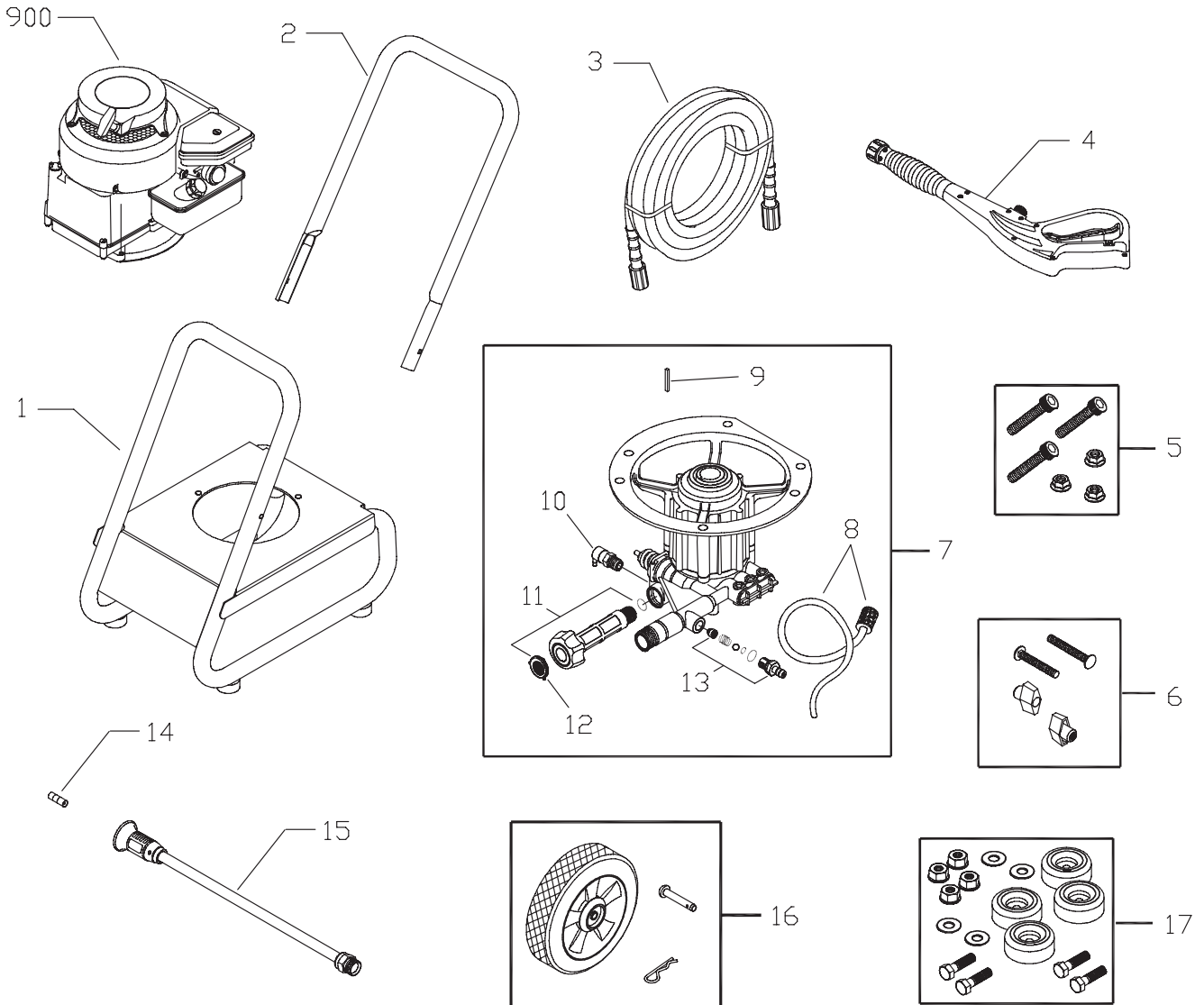
PARTS

CRAFTSMAN 2000 PSI Pressure Washer 580.676621

Nettoyeur à pression CRAFTSMAN de 2,000 psi 580.676621

Main Unit — Exploded View

Unité principale - Vue éclatée



CRAFTSMAN 2000 PSI Pressure Washer 580.676621

Nettoyeur à pression CRAFTSMAN de 2,000 psi 580.676621

Main Unit — Parts List

Unité principale - Liste des pièces

Item Article	Part # Pièce no.	Description Description
1	203246GS	ASSY, Base w/mounts (ENSEMBLE, Base w/montants)
2	R202565GS	HANDLE (POIGNÉE)
3	196006GS	HOSE (TUYAU)
4	199117GS	GUN (PISTOLET)
5	192525GS	KIT, Pump/Engine Mounting Hardware (ENSEMBLE, quincaillerie de montage de la pompe/moteur)
6	B2203GS	KIT, Handle Connector
7	206383GS	ASSY, Pump (ENSEMBLE, pompe)
8	189971GS	Kit, Chemical Hose (ENSEMBLE, tuyau de produits chimiques)
9	23139GS	Key (CLÉ)
10	194298GS	Valve, Thermal Relief (SOUPAPE DE SURPRESSION THERMIQUE)
11	200278GS	Kit, Water Inlet (ENSEMBLE, arrivée d'eau)
12	B2384GS	Filter, Inlet (Filtre, l'Arrivée)
13	200279GS	Kit, Chemical Injection (ENSEMBLE, Injection de produits chimiques)
14	B1236DGS	ORFICE (ORIFICE)
15	205015DGS	ASSY, Wand, Adj (ENSEMBLE, lance, réglable)
16	201388GS	KIT, Wheel (ENSEMBLE, roues)
	87005AGS	Pin, Quick Release (agrafes de retenue)
	203543GS	Pin, Round (épingle, rond)
17	198766GS	KIT, Vibration Mount (ENSEMBLE, montants antivibratiles)
900	NSP	ENGINE (see pages 24-26) (MOTEUR (voir pages 24 à 26)) (9T702-0111-B1)

Items Not Illustrated

Articles non illustrés

Part # Pièce no.	Description Description
206230GS	MANUAL, Operator's (MANUEL d'utilisation)
AB3061BGS	OIL BOTTLE (HUILE, bouteille)
87815GS	GOGGLES (LUNETTES DE SÉCURITÉ)
194141GS	BAG, Accessory, String (SAC, accessoire, ficelle)
203363GS	DECAL, Unit (DÉCALQUE, unité)
200658GS	DECAL, Recoil (DÉCALQUE, reculer)
203362GS	DECAL, Shroud (DÉCALQUE, Tôle de protection)
794693	LABEL, Warning (DÉCALQUE, avertissement)
195015GS	KIT, Tag/Warning, Srv (ENSEMBLE, Avertissement/Étiquette sécurité)

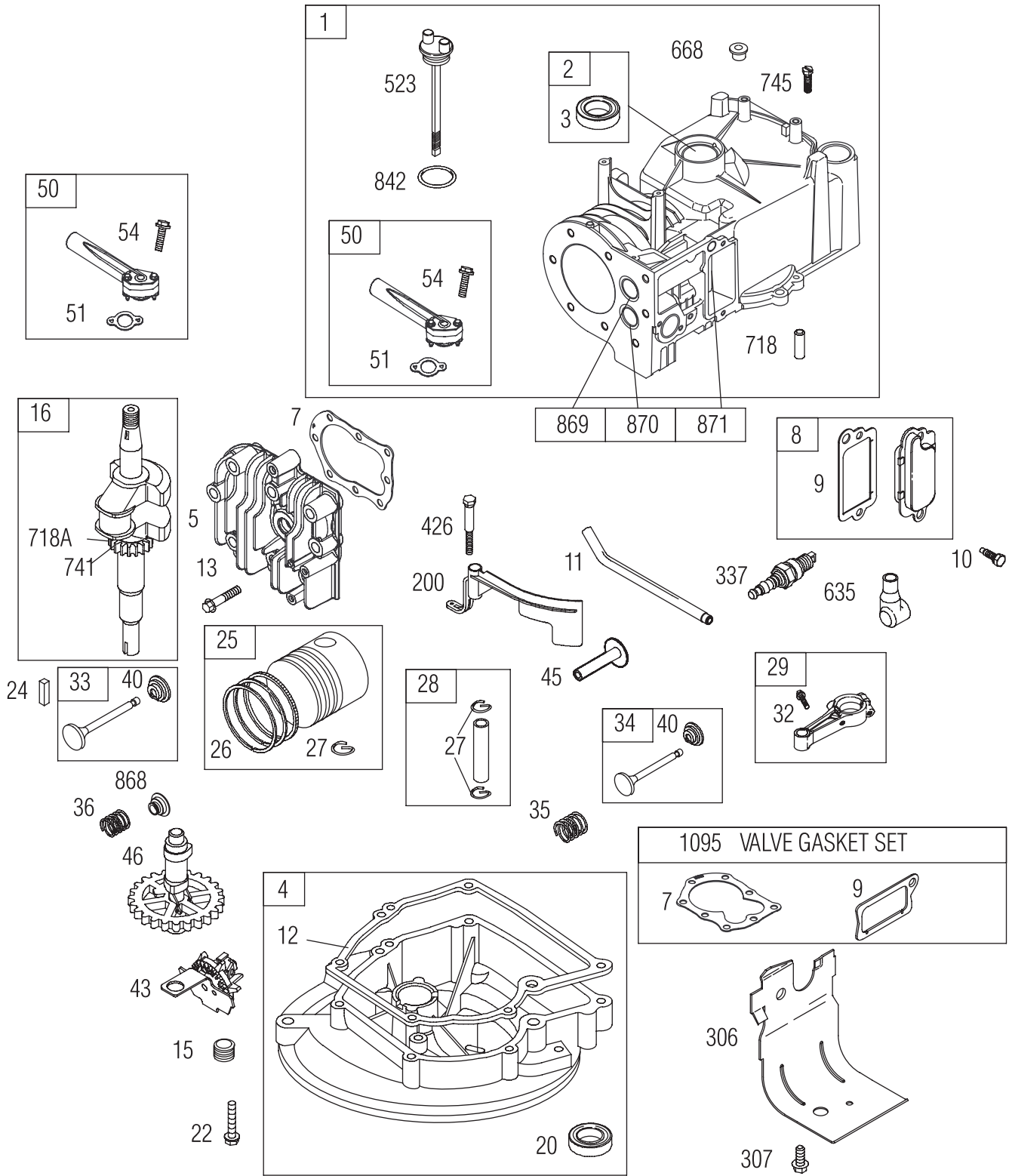
Optional Accessories Not Illustrated

Accessoires en option non illustrés

191922GS	KIT, Maintenance, O-Ring (ENSEMBLE, entretien, joint torique)
----------	---

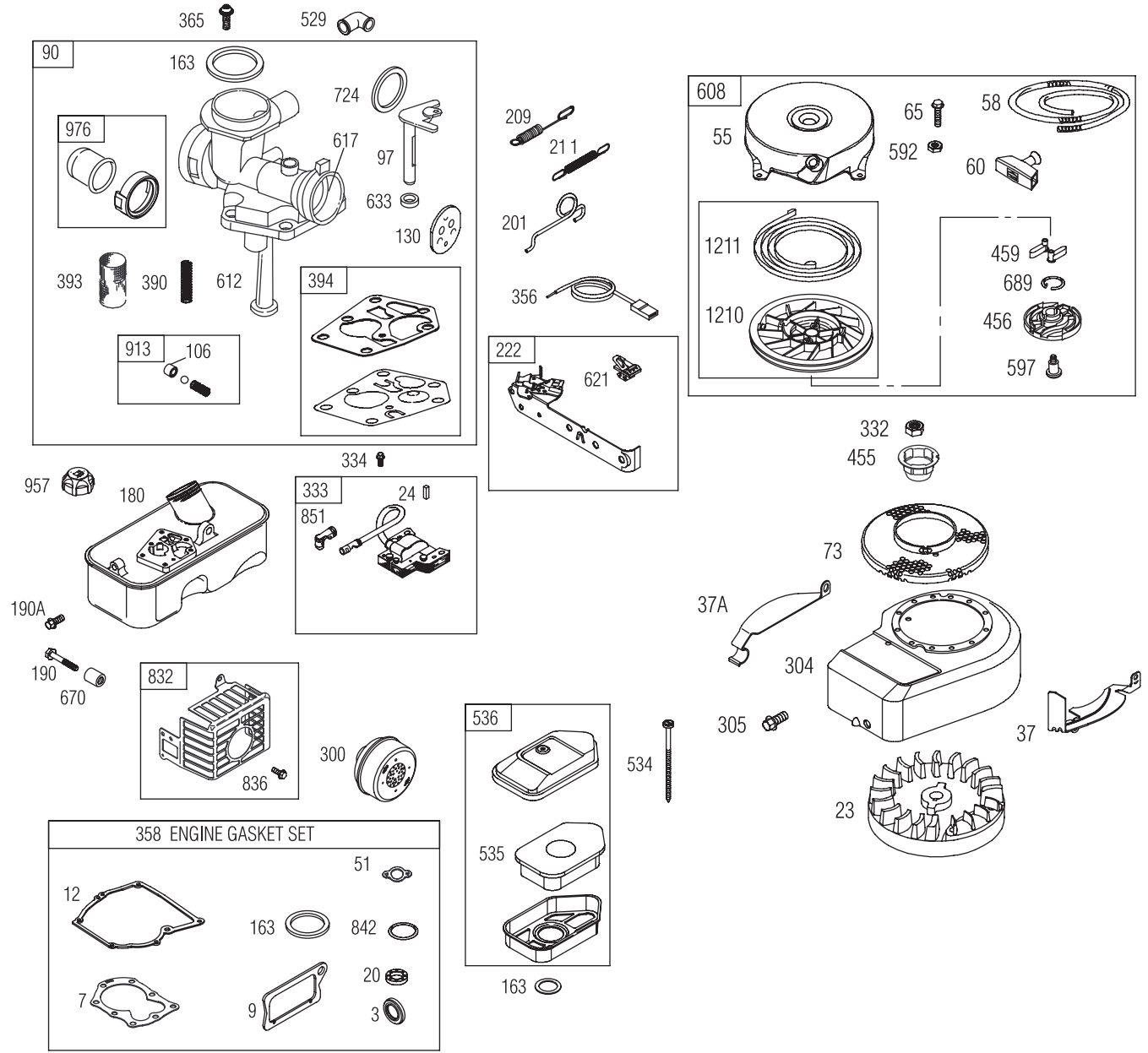
ENGINE, Briggs & Stratton, 9T702 – Exploded View

MOTEUR, Briggs & Stratton, 9T702 - Vue éclatée



ENGINE, Briggs & Stratton, 9T702 – Exploded View

MOTEUR, Briggs & Stratton, 9T702 - Vue éclatée



ENGINE, Briggs & Stratton, 9T702 – Parts List

MOTEUR, Briggs & Stratton, 9T702 - Nomenclature de pièces

Item Article	Part # Pièce no.	Description Description	Item Article	Part # Pièce no.	Description Description
1	699653	Cylinder Assembly (Ensemble cylindre)	305	692198	Screw (Blower Housing) (Vis-(Bâti de soufflerie))
2	399269	Kit-Bushing/Seal (Magneto Side) (Ensemble-Garniture d'étanchéité/Joint (côté magnéto))	306	690400	Shield-Cylinder (Écran-Cylindre)
3	299819S	Seal-Oil (Magneto Side) (Joint-Huile (côté magnéto))	307	690345	Screw (Cylinder Shield) (Vis (Écran de cylindre))
4	698691	Sump-Engine (Puisard-Moteur)	332	690662	Nut (Flywheel) (Écrou-Volant-moteur)
5	690386	Head-Cylinder (Culasse-Cylindre)	333	792395	Armature-Magneto (Armature-Magnéto)
7	698717	Gasket-Cylinder Head (Joint statique-Culasse de cylindre)	334	691061	Screw (Vis (Armature de magnéto))
8	791781	Breather Assembly (Ensemble de reniflard)	337	802592S	Plug-Spark (Bougie-Allumage)
9	695890	Gasket-Breather (Joint statique-Reniflard)	356	692390	Wire-Stop (Fil-Arrêt)
10	691666	Screw (Breather Assembly) (Vis (Ensemble de reniflard))	358	794209	Gasket Set-Engine (Jeu de joints statiques-Moteur)
11	691245	Tube-Breather (Tube-Reniflard)	365	790029	Screw (Carburetor) (Vis (Carburateur))
12	692218	Gasket-Crankcase (Joint statique-Carter)	390	691839	Spring-Choke Diaphragm (Ressort-Membrane de l'étrangleur)
13	691640	Screw (Cylinder Head) (Vis (Culasse de cylindre))	393	691837	Screen-Carburetor (Crépine-Carburateur)
15	691680	Plug-Oil Drain (Bouchon-Vidange d'huile)	394	495770	Gasket-Carburetor Pump (Joint statique-Pompe du carburateur)
16	692991	Crankshaft (Vilebrequin)	426	691107	Screw (Governor Blade) (Vis (Pale du régulateur))
20	391483S	Seal-Oil (PTO Side) (Joint-Huile (Côté prise de force))	455	691236	Cup-Flywheel (Coupelle-Volant-moteur)
22	691662	Screw (Engine Sump) (Vis (Puisard de moteur))	456	692299	Plate-Pawl Friction (Plaque-Cliquet à friction)
23	690843	Flywheel (Volant-moteur)	459	281505S	Pawl-Ratchet (Cliquet encliquetage à dents)
24	222698S	Key-Flywheel (Clavette-Volant-moteur)	523	691913	Dipstick (Jauge)
25	699657	Piston Assembly (Standard) (Ensemble de piston (Standard))	524	691876	Seal-O ring (Dipstick Tube) (Sceller - l'anneau de O (Tube de jauge de niveau d'huile))
	792532	Piston Assembly (.020" Oversize) (Ensemble de piston (51 mm (0.020 po) Surdimensionné))	529	692189	Grommet (Oeillet)
26	699658	Ring Set (Standard) (Jeu de bagues (Standard))	534	691417	Screw (Air Cleaner) (Vis (Filtre à air))
	792533	Ring Set (.020" Oversize) (Jeu de bagues (51 mm (0.020 po) Surdimensionné))	535	698369	Filter-Air Cleaner Foam (Filtre-Mousse du filtre à air)
27	691588	Lock-Piston Pin (Verrou-Axe de piston)	536	698472	Cleaner-Air (Filtre-Air)
28	699659	Pin-Piston (Standard) (Axe-Piston (Standard))	592	690800	Nut (Rewind Starter) (Écrou (Démarreur à cordon))
29	699655	Rod-Connecting (Bielle)	597	691696	Screw (Pawl Friction Plate) (Vis (Plaque de cliquet à friction))
32	691664	Screw (Connecting Rod) (Vis (Bielle))	608	690101	Starter-Rewind (Démarreur-Rebobinage)
33	296676	Valve-Exhaust (Soupape-Échappement)	612	496046S	Tube-Pick Up (Tube-Ramassage)
34	296677	Valve-Intake (Soupape-Entrée)	617	270344S	Seal-O Ring (Intake Manifold) (Joint-Joint torique (Collecteur d'entrée))
35	690520	Spring-Valve (Intake) (Ressort-Soupape (Entrée))	621	692310	Switch-Stop (Interrupteur-Arrêt)
36	690520	Spring-Valve (Exhaust) (Ressort-Soupape (Échappement))	633	691321	Seal-Choke/Throttle Shaft (Joint-Étrangleur/Arbre de poussée)
37	691209	Guard-Flywheel (Capot-Volant-moteur)	635	66538	Boot-Spark Plug (Couvre-borne-Bougie d'allumage)
37A	690482	Guard-Flywheel (Capot-Volant-moteur)	668	692889	Spacer (Butée d'espacement)
40	692194	Retainer-Valve (Dispositif de retenue-Soupape)	670	691633	Spacer-Fuel Tank (Butée d'espacement- Réservoir de combustible)
43	698690	Slinger-Governor/Oil (Bague d'étanchéité-Régulateur/Huile)	689	691855	Spring-Friction (Ressort-Friction)
45	691762	Tappet-Valve (Poussoir-Soupape)	718	690959	Pin-Locating (Détrompeur)
46	691998	Camshaft (Arbre à cames)	718A	499047	Pin-Locating (Détrompeur)
50	792388	Manifold-Intake (Collecteur-Entrée)	724	697478	Retainer-Seal (De retenue-cachet)
51	792389	Gasket-Intake (Joint statique-Entrée)	741	691805	Gear-Timing (Pignon de distribution)
54	691111	Screw (Intake Manifold) (Vis (Collecteur d'entrée))	745	691146	Screw (Brake) (Vis (Frein))
55	692144	Housing-Rewind Starter (Bâti-Démarreur à cordon)	832	699670	Guard-Muffler (Capuchon-Silencieux)
58	691921	Rope-Starter (Cordon-Démarreur)	836	690664	Screw (Muffler Guard) (Vis (Capuchon du silencieux))
60	691915	Grip-Starter Rope (Poignée-Cordon de démarreur)	842	691876	Seal-O Ring (Dipstick) (Joint-Joint torique (Jauge))
65	690837	Screw (Rewind Starter) (Vis (Démarreur à cordon))	851	692424	Terminal-Spark Plug (Borne-Bougie d'allumage)
73	699850	Screen-Rotating (Crépine-Rotative)	868	697338	Seal-Valve (Sceller - la Soupape)
90	498811	Carburetor (Carburateur)	869	699641	Seat-Valve (Intake) (Siège-Soupape (Entrée))
97	691931	Shaft-Throttle (Arbre-Poussée)	870	699642	Seat-Valve (Exhaust) (Siège-Soupape (Échappement))
106	691901	Seat-Inlet (Siège-Admission)	871	699643	Bushing-Guide (Exhaust) (Garniture d'étanchéité-Guide (Échappement))
130	691190	Valve-Throttle (Soupape-Poussée)	63709		Bushing-Guide (Intake) (Garniture d'étanchéité-Guide (Entrée))
163	271139S	Gasket-Air Cleaner (Joint statique-Filtre à air)	913	494409	Seat-Check Valve (Siège-Clapet de retenue)
180	494406	Tank-Fuel (Réservoir-Combustible)	957	791129	Cap-Fuel Tank (Bouchon- Réservoir de combustible)
190	691697	Screw (Fuel Tank) (Vis (Réservoir d'essence))	976	694394	Primer-Carburetor (Amorceur-Carburateur)
190A	692198	Screw (Fuel Tank) (Vis (Réservoir d'essence))	1095	498526	Gasket Set-Valve (Jeu de joints statiques-Soupape)
200	691912	Blade-Governor (Pale-Régulateur)	1210	499901	Pulley/Spring Assembly (Poulie) (Poulie/Ensemble de ressorts (Poulie))
201	690347	Link-Air Vane (Lien-Volet d'air mobile)	1211	499901	Pulley/Spring Assembly (Spring) (Poulie/Ensemble de ressorts (Poulie))
209	690252	Spring-Governor (Ressort-Régulateur)	1218	695866	Seal-O Ring (Carburetor) (Joint-Joint torique (Carburateur))
211	691859	Spring-Governed Idle (Ressort-Régulateur de ralenti)			
222	691445	Bracket-Control (Support-Contrôle)			
300	394569S	Muffler (Silencieux)			
304	692536	Housing-Blower (Bâti-Soufflerie)			

EMISSION CONTROL SYSTEM WARRANTY

Sears, Roebuck and Co., U.S.A. (Sears), the California Air Resources Board (CARB) and the United States Environmental Protection Agency (U.S.EPA)

Emissions Control System Warranty Statement (Owner's Defect Warranty Rights and Obligations)

The California Air Resources Board (CARB), U.S. EPA and Sears are pleased to explain the Emissions Control System Warranty on your small offroad engine (SORE). In California, new small offroad engines model year 2006 and later must be designed, built and equipped to meet the State's stringent anti-smog standards.

Elsewhere in the United States, new non-road, spark-ignition engines certified for model year 1997 and later must meet similar standards set forth by the U.S. EPA. Sears must warrant the emissions control system on your engine for the periods of time listed below, provided there has been no abuse, neglect or improper maintenance of your small off-road engine.

Your emissions control system includes parts such as the carburetor, air cleaner, ignition system, fuel line, muffler and catalytic converter. Also included may be connectors and other emissions related assemblies.

Where a warrantable condition exists, Sears will repair your small off-road engine at no cost to you including diagnosis, parts and labor.

Sears, Roebuck and Co. Emissions Control Defects Warranty Coverage

Small off-road engines are warranted relative to emissions control parts defects for a period of two years, subject to provisions set forth below. If any covered part on your engine is defective, the part will be repaired or replaced by Sears.

Owner's Warranty Responsibilities

As the small off-road engine owner, you are responsible for the performance of the required maintenance listed in your Operating and Maintenance Instructions. Sears recommends that you retain all your receipts covering maintenance on your small off-road engine, but Sears cannot deny warranty solely for the lack of receipts or for your failure to ensure the performance of all scheduled maintenance.

As the small off-road engine owner, you should however be aware that Sears may deny you warranty coverage if your small off-road engine or a part has failed due to abuse, neglect, improper maintenance or unapproved modifications.

You are responsible for presenting your small off-road engine to an Authorized Sears Service Dealer as soon as a problem exists.

The undisputed warranty repairs should be completed in a reasonable amount of time, not to exceed 30 days.

If you have any questions regarding your warranty rights and responsibilities, you should contact a Sears Service Representative at 1-800-469-4663.

The emissions warranty is a defects warranty. Defects are judged on normal engine performance. The warranty is not related to an in-use emissions test.

Sears, Roebuck and Co. Emissions Control Defects Warranty Provisions

The following are specific provisions relative to your Emissions Control Defects Warranty Coverage. It is in addition to the Sears engine warranty for non-regulated engines found in the Operating and Maintenance Instructions.

1. Warranted Parts

Coverage under this warranty extends only to the parts listed below (the emissions control systems parts) to the extent these parts were present on the engine purchased.

- a. Fuel Metering System
 - Cold start enrichment system

- Carburetor and internal parts
- Fuel Pump
- Fuel line, fuel line fittings, clamps
- Fuel tank, cap and tether
- Carbon canister
- b. Air Induction System
 - Air cleaner
 - Intake manifold
 - Purge and vent line
- c. Ignition System
 - Spark plug(s)
 - Magneto ignition system
- d. Catalyst System
 - Catalytic converter
 - Exhaust manifold
 - Air injection system, Pulse valve
- e. Miscellaneous Items
 - Vacuum, temperature, position, time sensitive valves and switches
 - Connectors and assemblies

2. Length of Coverage

Sears warrants to the initial owner and each subsequent purchaser that the Warranted Parts shall be free from defects in materials and workmanship which caused the failure of the Warranted Parts for a period of two years from the date the engine is delivered to a retail purchaser.

3. No Charge

Repair or replacement of any Warranted Part will be performed at no charge to the owner, including diagnostic labor which leads to the determination that a Warranted Part is defective, if the diagnostic work is performed at an Authorized Sears Service Dealer.

4. Claims and Coverage Exclusions

Warranty claims shall be filed in accordance with the provisions of the Sears Engine Warranty Policy. Warranty coverage shall be excluded for failures of Warranted Parts which are not original Sears parts or because of abuse, neglect or improper maintenance as set forth in the Sears Engine Warranty Policy. Sears is not liable to cover failures of Warranted Parts caused by the use of add-on, non-original, or modified parts.

5. Maintenance

Any Warranted Part which is not scheduled for replacement as required maintenance or which is scheduled only for regular inspection to the effect of "repair or replace as necessary" shall be warranted as to defects for the warranty period. Any Warranted Part which is scheduled for replacement as required maintenance shall be warranted as to defects only for the period of time up to the first scheduled replacement for that part. Any replacement part that is equivalent in performance and durability may be used in the performance of any maintenance or repairs. The owner is responsible for the performance of all required maintenance, as defined in the Sears Operating and Maintenance Instructions.

6. Consequential Coverage

Coverage hereunder shall extend to the failure of any engine components caused by the failure of any Warranted Part still under warranty.

In the USA and Canada, a 24-hour hotline, 1-800-469-4663, has a menu of pre-recorded messages offering you product maintenance information.

Emission Information

Engines that are certified to meet the California Air Resources Board (CARB) Emission Standards must display information regarding the Emissions Durability Period and Air Index. The engine manufacturer makes this information available to the consumer on emission labels. The engine emission label will indicate certification information.

The **Emissions Durability Period** describes the number of hours of actual running time for which the engine is certified to be emissions compliant, assuming proper maintenance in accordance with the Operating & Maintenance Instructions. The following categories are used:

Moderate: Engine is certified to be emission compliant for 125 hours of actual engine running time.

Intermediate: Engine is certified to be emission compliant for 250 hours of actual engine running time.

Extended: Engine is certified to be emission compliant for 500 hours of actual engine running time.

For example, a typical walk-behind lawn mower is used 20 to 25 hours per year. Therefore, the **Emissions Durability Period** of an engine with an **intermediate** rating would equate to 10 to 12 years.

Certain engines will be certified to meet the United States Environmental Protection Agency (USEPA) Phase 2 emission standards. For phase 2 certified engines, the Emissions Compliance Period referred to on the Emissions Compliance label indicates the number of operating hours for which the engine has been shown to meet Federal emission requirements.

For engines less than 225 cc displacement:

Category C = 125 hours

Category B = 250 hours

Category A = 500 hours.

For engines of 225 cc or more displacement:

Category C = 250 hours

Category B = 500 hours

Category A = 1000 hours.

NOTES

TABLE DES MATIÈRES

GARANTIE.....	30	ENTRETIEN	42-46
RÈGLES DE SÉCURITÉ	30-32	RANGEMENT.....	47
FONCTIONS ET COMMANDES	33	DÉPANNAGE.....	48
ASSEMBLAGE	34-36	GARANTIE DU DISPOSITIF ANTIPOLLUTION	50-51
OPÉRATION.....	37-40	COMMENT COMMANDER LES PARTIES	PAGE POSTÉRIEURE
CARACTÉRISTIQUES DU PRODUIT	41		

GARANTIE

GARANTIE COMPLÈTE D'UN AN SUR LA NETTOYEUR À PRESSION CRAFTSMAN

En cas de défaillance de la nettoyeur à pression due à un défaut de matériel ou de fabrication à l'intérieur d'un an à partir de la date d'achat, retournez-la à un magasin Sears, à un point de vente Craftsman ou à un Centre de service Sears aux États-Unis ou au Canada pour une réparation gratuite (ou un remplacement si la réparation s'avère impossible).


Toute la couverture en vertu de la garantie s'applique pendant seulement 90 jours à compter de la date d'achat si cette nettoyeur à pression est utilisée à des fins commerciales ou de location.

La présente garantie vous accorde certains droits légaux spécifiques et il se peut que vous ayez également d'autres droits, lesquels varient d'un État à l'autre ou d'une province à l'autre.

Sears, Roebuck and Co., Hoffman Estates, IL 60179

Sears Canada Inc., Toronto, Ontario, Canada M5B 2B8

RÈGLES DE SÉCURITÉ

 **Lisez avec soin ce manuel et familiarisez-vous avec votre pulvérisateur à pression. Connaissiez ses applications, ses limitations et les dangers qu'il implique.**

Renseignements importants de sécurité

Symboles de sécurité et leur signification



Manuel d'Utilisation



Emanations Toxiques



Choc Électrique



Surface Glissante



Chute



Injection Fluide



Feu



Explosion



Surface Chaude



Parties en mouvement



Objets volant



Effet de Recul

▲ Le symbole d'alerte de sécurité indique un risque potentiel de blessure personnelle. Un mot signal (DANGER, ATTENTION ou AVERTISSEMENT) est utilisé avec un symbole d'alerte pour vous indiquer le degré ou le niveau du risque. Un symbole de sécurité peut être utilisé pour représenter le type de risque. Le mot signal *AVIS* est utilisé pour traiter les pratiques qui ne sont pas reliées aux blessures personnelles.

▲ Le mot signal **DANGER** indique un danger qui, s'il n'est pas évité, *causera* la mort ou des blessures graves.

▲ Le mot signal **AVERTISSEMENT** indique un risque qui, s'il n'est pas évité, *pourrait* causer la mort ou des blessures graves.


▲ Le mot signal **ATTENTION** indique un risque qui, s'il n'est pas évité, *pourrait* causer des blessures mineures ou modérées.

Le mot *AVIS* est utilisé pour les pratiques qui ne sont pas reliées aux blessures personnelles.

▲ AVERTISSEMENT: L'échappement du moteur de ce produit contient des produits chimiques que l'État de Californie considère comme causant le cancer, des déformations à la naissance ou d'autres dangers concernant la reproduction.

▲ AVERTISSEMENT: Certains composants de ce produit ainsi que les accessoires reliés contiennent des produits chimiques reconnus par l'État de la Californie comme causant des cancers, des malformations congénitales, ou d'autres problèmes de reproduction. Nettoyez-vous les mains après la manipulation.

▲ AVERTISSEMENT: Le nettoyeur à pression, lorsqu'il fonctionne, produit du monoxyde de carbone, un gaz toxique inodore et incolore.




L'inhalation du monoxyde de carbone peut causer des maux de tête, de la fatigue, des étourdissements, le vomissement, de la confusion, des crises épileptiques, des nausées, l'évanouissement ou la mort.

Certains produits chimiques et détergents peuvent être nocifs en cas d'ingestion ou d'inhalation et peuvent provoquer des nausées, un évanouissement ou un empoisonnement.

- Faites fonctionner le nettoyeur à pression SEULEMENT à l'extérieur.
- Évitez que les gaz d'échappement entrent dans un espace restreint, par une fenêtre, une porte, une prise d'aération ou toute autre ouverture.
- NE démarrez, ni ne faites fonctionner un moteur à l'intérieur ou dans un espace fermé, même si les fenêtres ou les portes sont ouvertes.
- Utilisez un appareil respiratoire ou un masque lorsqu'il y a des risques d'inhalation des vapeurs.
- Lisez toutes les instructions qui accompagnent le masque pour être certain qu'il vous protégera de façon efficace contre l'inhalation des vapeurs nocives.



▲ AVERTISSEMENT: Risque d'électrocution.



Tout contact avec une source d'alimentation de courant peut causer un choc électrique ou des brûlures.

- NE pulvérisiez JAMAIS près d'une source d'alimentation.



▲ AVERTISSEMENT: Usage de pression peut créer puddles et glissant.



Un effet de recul du pistolet de pulvérisation pourrait entraîner une chute.

- Utilisez le nettoyeur à pression à partir d'une surface stable.
- La surface à nettoyer doit être inclinée et équipée d'écoulements afin de réduire la possibilité de chutes dues aux surfaces glissantes.
- Soyez très vigilant si vous devez utiliser le nettoyeur à pression lorsque vous êtes dans une échelle, un échafaudage ou autre emplacement similaire.
- Lorsque vous utilisez une vaporisation à haute pression, saisissez fermement le pistolet de vaporisation avec les deux mains afin d'éviter les risques de blessures entraînés par les effets de recul.

▲ AVERTISSEMENT: L'essence et ses vapeurs sont extrêmement inflammables et explosives.



Le feu ou l'explosion risque de provoquer des blessures graves, pouvant être fatales.

LORS DE L'AJOUT OU DE LA VIDANGE DU CARBURANT

- Éteignez le nettoyeur à pression et laissez-le refroidir au moins 2 minutes avant de retirer le capuchon du réservoir de carburant. Desserrez lentement le capuchon pour laisser la pression s'échapper du réservoir.
- Remplissez ou vidangez le réservoir d'essence à l'extérieur.
- NE remplissez PAS trop le réservoir. Laissez l'expansion de l'essence.
- Si du carburant est renversé, attendez qu'il s'évapore avant de démarrer le moteur.
- Éloignez l'essence des étincelles, des flammes, des veilleuses, de la chaleur et de toute autre source d'inflammation.
- N'allumez PAS de cigarette ou ne fumez pas à proximité de l'appareil.

LORS DU DÉMARRAGE DE L'ÉQUIPEMENT

- Assurez-vous que la bougie d'allumage, le silencieux, le bouchon à essence et le filtre à air sont en place.
- NE démarrez PAS le moteur lorsque la bougie d'allumage est enlevée.

LORSQUE L'ÉQUIPEMENT FONCTIONNE

- NE penchez PAS le moteur ou l'équipement, vous risqueriez de renverser de l'essence.
- NE vaporisez PAS de liquides inflammables.


LORSQUE VOUS TRANSPORTEZ OU RÉPAREZ L'ÉQUIPEMENT

- Le réservoir d'essence doit être VIDE ou le robinet d'arrêt de carburant doit être à la position fermée (OFF) pendant le transport ou la réparation.
- Débranchez le câble de bougie.

LORSQUE VOUS ENTREPOSEZ L'ESSENCE OU UN ÉQUIPEMENT AVEC UN RÉSERVOIR À ESSENCE

- Entreposez-le loin des appareils de chauffage, des fours, des chauffe-eau, des sècheuses ou de tout autre appareil électroménager disposant d'une veilleuse ou de toute autre source d'inflammation risquant d'enflammer les vapeurs d'essence.

▲ AVERTISSEMENT: Un effet de recul (réroaction rapide) de la corde du démarreur pourrait entraîner des blessures corporelles. L'effet de recul tirera votre main et votre bras vers le moteur plus rapidement que vous ne pouvez relâcher la corde.



Vous risquez ainsi de subir des fractures, des ecchymoses ou des entorses.

- NE tirez JAMAIS sur la corde du démarreur sans avoir d'abord libéré la pression du pistolet de pulvérisation.
- Lors du démarrage du moteur, tirez lentement sur la corde jusqu'à ce que vous sentiez une résistance et tirez alors rapidement afin d'éviter un effet de recul.
- Après chaque tentative de démarrage, alors que le moteur n'a pas démarré, dirigez toujours le pistolet vers un endroit sécuritaire et appuyez sur la détente du pistolet de pulvérisation pour libérer la haute pression. Engagez le verrou de la détente du pistolet de pulvérisation.
- Lorsque vous utilisez une vaporisation à haute pression, saisissez fermement le pistolet de vaporisation avec les deux mains afin d'éviter les risques de blessures entraînés par les effets de recul.

⚠ AVERTISSEMENT: Démarreur et autres tournes peuvent empêcher mains, cheveux, vêtements, ou accessoires.



- N'utilisez JAMAIS un appareil sans bâti ou couvercles protecteurs.
- Ne portez pas de vêtements lâches, de bijoux ou tout ce qui risquerait d'être pris dans le démarreur ou toute autre pièce rotative.
- Embouteiller des cheveux longs et enlever la bijouterie.

⚠ AVERTISSEMENT: Tout contact avec la zone du silencieux peut causer des brûlures graves. La chaleur et les gaz d'échappement peuvent enflammer des matériaux



combustibles et les structures ainsi que causer des dommages au réservoir d'essence et entraîner un incendie.

- NE touchez PAS aux pièces chaudes et évitez le contact avec les gaz d'échappement.
- Laissez l'équipement refroidir avant de le toucher.
- Laissez un dégagement d'au moins 1,5 m (5 pi) tout autour de la nettoyeur à pression, y compris au-dessus.
- L'utilisation ou le fonctionnement d'un moteur sur un terrain boisé, couvert de broussailles ou gazonné constitue une violation dans l'État de la Californie, en vertu de la section 4442 du California Public Resources Code, à moins qu'il ne soit doté d'un pare-étincelles tel que défini dans la section 4442 et maintenu en bon état de fonctionnement. Il se peut que d'autres États ou d'autres compétences fédérales aient des lois semblables.

Communiquez avec le fabricant, le détaillant ou le concessionnaire original de l'appareil afin d'obtenir un pare-étincelles conçu pour le système d'échappement installé sur ce moteur.

- Les pièces de rechange doivent être identiques aux pièces d'origine et être installées à la même position.

⚠ AVERTISSEMENT: Unintentional peut résulter dans feu ou électrique.



LORSQUE VOUS RÉGLEZ OU RÉPAREZ VOTRE NETTOYEUR À PRESSION

- Débranchez toujours le câble de bougie et placez-le de façon à ce qu'il ne soit pas en contact avec la bougie.

LORS DE TESTS D'ALLUMAGE DU MOTEUR

- Utilisez un vérificateur de bougies d'allumage approuvé.
- Ne vérifiez pas l'allumage lorsque la bougie d'allumage est enlevée.

⚠ AVERTISSEMENT: Risque de blessure aux yeux. Le jet peut rejaillir sur vous ou propulser des objets.



- Portez toujours des lunettes de sécurité lorsque vous utilisez cet appareil ou que vous vous trouvez à proximité d'un appareil en marche.
- Avant de démarrer le nettoyeur à pression, assurez-vous de porter des lunettes de sécurité appropriées.
- Utilisez TOUJOURS des lunettes de sécurité appropriées.

⚠ AVERTISSEMENT: Le jet d'eau sous pression produit par cet équipement peut percer la peau et les tissus sous-jacents, risquant de provoquer des blessures graves pouvant mener à une amputation.



Le pistolet de pulvérisation retient une pression d'eau élevée, même lorsque le moteur est éteint et que l'eau est déconnectée, ce qui peut causer des blessures.

- N'autorisez jamais des ENFANTS à se servir du nettoyeur à pression.
- Ne réparez jamais les tuyaux à haute pression. Remplacez.
- Ne réparez JAMAIS des raccords non étanches à l'aide de scellant. Remplacez le joint torique ou le joint d'étanchéité.
- Ne connectez JAMAIS le boyau à haute pression à la rallonge de buse.
- Gardez toujours le tuyau flexible à haute pression raccordé à la pompe et au pistolet de pulvérisation lorsque le système est sous pression.
- Avant de démarrer le moteur, dirigez TOUJOURS le pistolet vers un endroit sécuritaire et appuyez sur la détente du pistolet de pulvérisation pour libérer la haute pression et éviter un effet de recul. Lorsque vous n'utilisez pas le pistolet, engagez le verrou de la détente.
- N'visez jamais des personnes, des animaux ou des plantes avec le pistolet pulvérisateur.
- NE verrouillez PAS le pistolet de pulvérisation dans la position ouverte.
- NE laissez PAS le pistolet de pulvérisation sans surveillance alors que l'appareil est en marche.
- N'utilisez JAMAIS un pistolet de pulvérisation qui n'est pas muni d'un verrou d'arme ou d'un pontet installé et en ordre de marche.
- Assurez-vous toujours que le pistolet de pulvérisation, les buses et les accessoires sont bien fixés.

AVIS: Le jet à haute pression risque d'endommager les articles fragiles comme le verre.

- Ne pointez pas le pistolet pulvérisateur sur du verre lorsqu'il est en mode pulvérisation.
- N'visez jamais des plantes avec le pistolet pulvérisateur.

AVIS: Le traitement inadéquat du nettoyeur à pression peut l'endommager et réduire sa durée de vie utile.

- Si vous avez des questions à propos de l'utilisation prévue de cet appareil, consultez votre détaillant ou communiquez avec Sears.
- N'utilisez JAMAIS un appareil ayant des pièces brisées ou manquantes ou sans bâti ou couvercles protecteurs.
- NE neutralisez AUCUN dispositif de sécurité de cette machine.
- NE modifiez PAS la vitesse réglée du moteur.
- N'utilisez PAS le nettoyeur à pression à des valeurs excédant la pression nominale.
- NE modifiez PAS le nettoyeur à pression.
- Par temps froid, avant de démarrer le nettoyeur à pression, vérifiez-en tous les éléments pour vous assurer qu'aucune glace ne s'y est formée.
- N'utilisez JAMAIS le tuyau à haute pression comme poignée pour déplacer l'appareil. Utilisez toujours la poignée de l'appareil.
- Vérifiez la présence de fuites ou les signes de détérioration du système de combustible, comme un tuyau usé ou spongieux, des brides de serrage desserrées ou manquantes, ou un réservoir ou un bouchon endommagé. Réparez toutes les déficiences avant d'utiliser le nettoyeur à pression.
- Cet appareil est conçu pour être utilisé uniquement avec des pièces Sears approuvées. Si l'appareil est utilisé avec des pièces qui NE sont PAS conformes aux caractéristiques minimales, tous les risques et responsabilités incomberont à l'utilisateur.

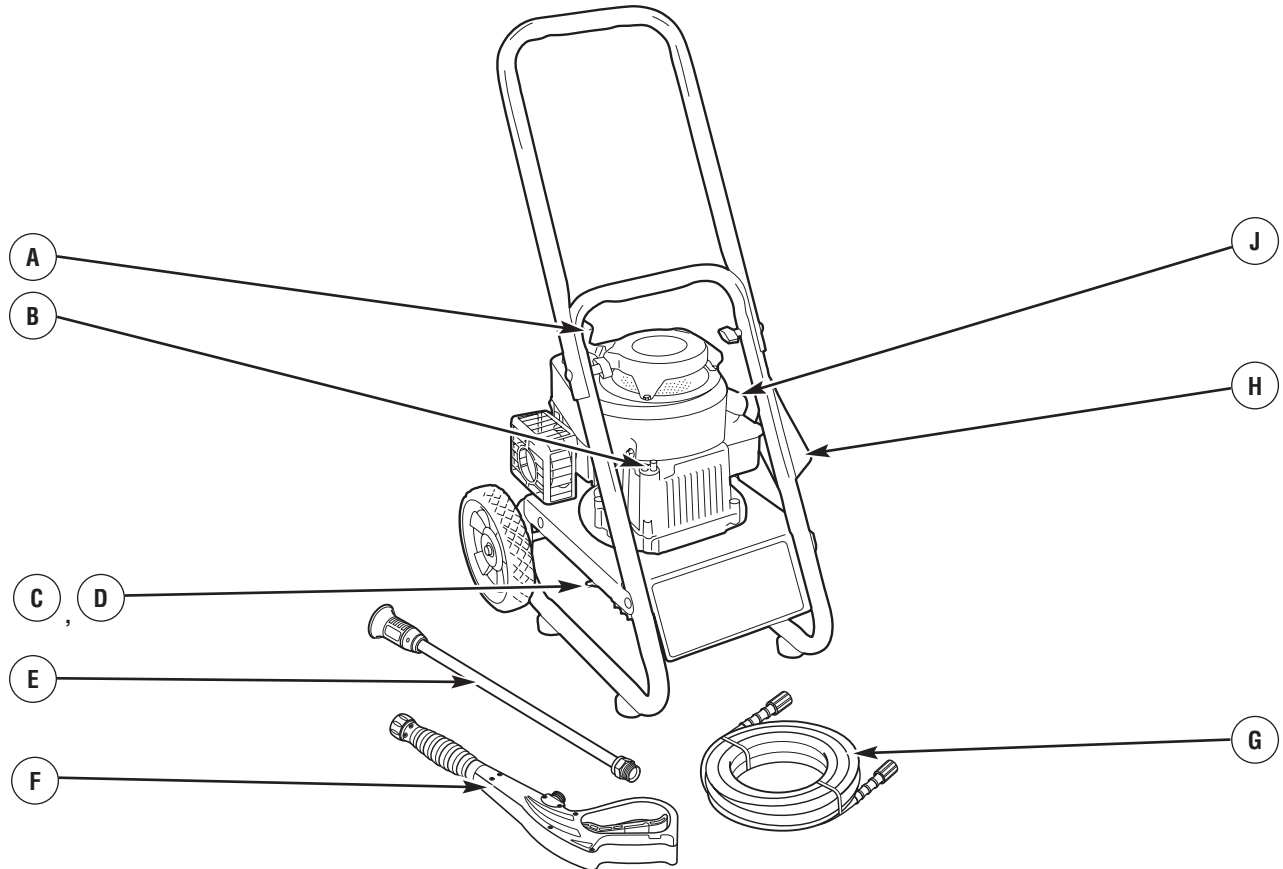
FONCTIONS ET COMMANDES

CONNAÎTRE VOTRE NETTOYEUR À PRESSION



Lisez ce manuel d'utilisation ainsi que les règles de sécurité avant de faire fonctionner votre nettoyeur à pression.

Comparez les illustrations avec votre nettoyeur à pression pour vous familiariser avec l'emplacement des différents boutons et réglages. Conservez ce manuel pour référence ultérieure.



A — Démarreur à recul — Utilisé pour démarrer le moteur manuellement.

B — Bouchon de remplissage et jauge d'huile — Vérifiez le niveau d'huile et remplissez le moteur d'huile ici.

C — Pompe - Développe une pression élevée.

D — Système de refroidissement automatique — Fait circuler l'eau dans la pompe lorsqu'elle atteint 51° à 68°C (125° à 155°F). L'eau chaude s'écoulera de la pompe sur le sol. Ce système empêche la pompe interne de s'abîmer.

E — Buse réglable — Réglage à haute ou basse pression; jet étroit ou en éventail.

F — Pistolet de pulvérisation — Un dispositif de détente permet de contrôler le jet d'eau sur la surface à nettoyer. Le pistolet est muni d'un verrou de sécurité.

G — Tuyau à haute pression — Raccordez une extrémité du tuyau au pistolet de pulvérisation et l'autre à la sortie du nettoyeur à haute pression.

H — Étiquette avertissement/directives d'utilisation — Identifie les risques et la procédure appropriée pour le démarrage et l'arrêt du nettoyeur à haute pression.

J — Réservoir d'essence — Remplissez le réservoir avec de l'essence ordinaire sans plomb. Laissez toujours de la place pour l'expansion de l'essence.

Articles non montrés:

Étiquette de données (près de l'arrière de la plaque de fond) — Indique le numéro de modèle et de série du nettoyeur à haute pression. Veuillez avoir ces renseignements sous la main lors d'appel de service.

Filtre à air — Filtre de type sec qui limite la quantité de poussières et de saletés dans le moteur.

Lunettes de sécurité — Portez toujours des lunettes de sécurité fournies lors de l'utilisation du nettoyeur à haute pression.

Manette de poussée — Cette manette place le moteur en mode démarrage pour le lanceur et éteint le moteur en marche.

Pompe d'amorçage — Prépare un moteur froid pour le démarrage.

Prise d'eau — Branchement pour le tuyau d'arrosage.

Prise haute pression — Vous permet de brancher le tuyau à haute pression.

ASSEMBLAGE

Votre nettoyeur à haute pression exige que quelque assemblée et soit prêt pour l'usage après il a été convenablement entretenu avec le pétrole et le carburant recommandés.

Si vous avez des problèmes au cours de l'assemblage de votre nettoyeur à haute pression ou si certaines pièces sont manquantes ou endommagées, appelez la ligne d'assistance pour les nettoyeur à haute pression au 1-800-222-3136.

DÉBALLAGE DU NETTOYEUR À PRESSION

1. Enlevez tous les composants de la boîte d'expédition à l'exception du nettoyeur à pression.
2. Ouvrez la boîte d'expédition en coupant tous les coins du haut vers le bas.
3. Enlevez le nettoyeur à pression de la boîte d'expédition.

CONTENU DU CARTON

Vérifiez toutes les pièces et accessoires du nettoyeur à haute pression. Si certaines des pièces énumérées ci-dessus sont manquantes ou endommagées, appelez la ligne d'assistance pour les nettoyeur à haute pression au 1-800-222-3136.

- Appareil principal
- Tuyau à haute pression
- Pistolet pulvérisateur
- Rallonge de buse avec buse réglable
- Huile à moteur
- Sac de pièces (comprenant les pièces énumérées ci-dessous)

Manuel d'utilisation

Familiarisez-vous avec chaque pièce avant d'assembler le nettoyeur à haute pression. Vérifiez le contenu de la boîte à l'aide de l'illustration de la page 33. Si une pièce est manquante ou endommagée, veuillez joindre le service de dépannage du nettoyeur à haute pression au numéro sans frais 1-800-222-3136.

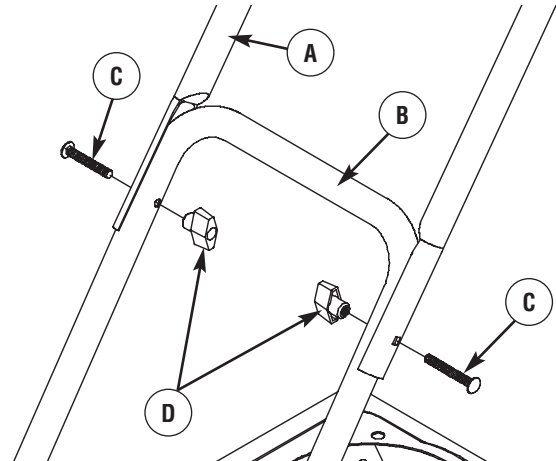
ASSEMBLAGE DU NETTOYEUR À HAUTE PRESSION

Votre nettoyeur à haute pression Craftsman nécessite de l'assemblage avant l'utilisation:

1. Fixez la poignée à l'unité principale.
2. Installation de l'ensemble de roues.
3. Ajoutez de l'huile au carter de moteur.
4. Ajoutez de l'essence dans le réservoir d'essence.
5. Connectez le boyau à haute pression au pistolet de pulvérisation.
6. Raccordement de l'alimentation en eau.
7. Connectez la rallonge de buse sur le pistolet de pulvérisation.

Fixation de la poignée

1. Placez la poignée (A) sur la base (B). Assurez-vous que les trous de la poignée sont alignés avec ceux de la base.
2. Insérez les boulons de carrosserie (C) dans les trous à l'extérieur de l'unité, puis fixez un bouton en plastique (D) depuis l'intérieur de l'unité. Serrez à la main.



Installation des roues

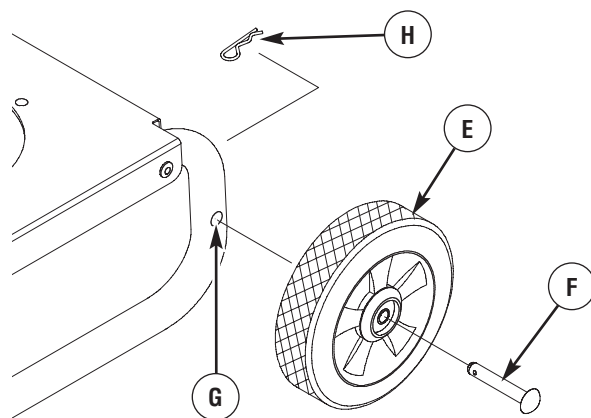
Les roues ont été conçues pour améliorer considérablement la portabilité de votre nettoyeur à haute pression.

REMARQUE : Les roues n'ont pas été conçues pour le transport de la nettoyeur à haute pression sur la route.

Installez les roues comme suit :

1. Placez le fond du châssis du nettoyeur à haute pression sur une surface plate et unie.
2. Faites glisser une roue (E) sur la cheville d'essieu (F).

REMARQUE : Assurez-vous de placer la roue avec le moyeu surélevé du côté intérieur.



3. Insérez la cheville d'essieu (G) par le châssis.
4. Fixez la roue à la cheville d'essieu avec une tige de retenue (H).
5. Répétez les étapes 2 à 4 pour la pose de la deuxième roue.

Ajout de l'huile à moteur

1. Placez le nettoyeur à haute pression sur une surface plane.
2. Nettoyez la surface autour de l'orifice de remplissage d'huile et enlevez le bouchon de remplissage d'huile jaune et la jauge d'huile.
3. À l'aide d'un entonnoir pour huile (optionnel), versez lentement le contenu complet de la bouteille d'huile fournie dans l'orifice de remplissage.

AVIS: Un traitement inapproprié du nettoyeur à pression risque de l'endommager et de raccourcir sa durée d'utilisation.

- NE tentez JAMAIS de démarrer le moteur sans d'abord vérifier s'il a été entretenu de façon appropriée avec l'huile recommandée. Cela risquerait d'entraîner un bris de moteur.
4. Remplacez la jauge d'huile et le bouchon de remplissage d'huile et serrez-le solidement.

Ajout d'essence

L'essence doit satisfaire les exigences suivantes:

- Essence sans plomb fraîche et propre.
- Un indice d'octane minimum de 87/87 AKI (91 IOR). Utilisation à des altitudes élevées, voir *Altitude élevée*.
- Une essence avec jusqu'à 10 % d'éthanol (gazohol) ou jusqu'à 15 % d'éther méthyltertiobutylque est acceptable.

AVIS: Évitez d'endommager le nettoyeur à pression.

Le manquement à suivre les recommandations relatives à l'huile du manuel d'utilisation annule la garantie.

- NE PAS utiliser d'essence non approuvée telle que E85.
- NE PAS mélanger l'huile avec l'essence.
- NE PAS modifier le moteur afin qu'il fonctionne avec d'autres types d'essence.

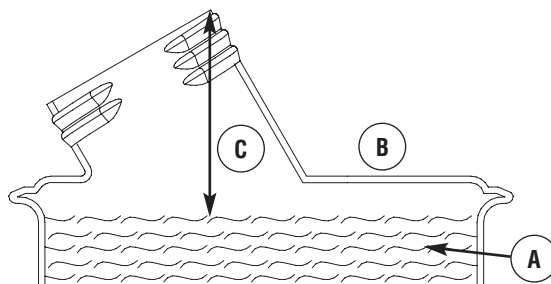
Au moment d'ajouter de l'essence, la mélanger avec un stabilisateur d'essence afin de protéger le circuit d'alimentation contre la formation de dépôts de gomme. Voir *Entreposage*. Les essences ne sont pas toutes pareilles. Si vous éprouvez des problèmes de démarrage ou de performance après avoir utilisé une essence, changez de fournisseur d'essence ou de marque d'essence. Le fonctionnement du moteur avec de l'essence est certifié. Ce dispositif antipollution pour ce moteur est de type EM (Modifications de moteur).

▲ AVERTISSEMENT: L'essence et ses vapeurs sont extrêmement inflammables et explosives. Le feu ou l'explosion risque de provoquer des blessures graves, pouvant être fatales.

LORS DE L'AJOUT DU CARBURANT

- Éteignez le nettoyeur à pression et laissez-le refroidir au moins 2 minutes avant de retirer le capuchon du réservoir de carburant. Desserrez lentement le capuchon pour laisser la pression s'échapper du réservoir.
- Remplissez ou vidangez le réservoir d'essence à l'extérieur.
- Ne remplissez pas trop le réservoir. Laissez l'expansion de l'essence.
- Attendez le carburant renversé pour s'évaporer avant de démarrer le moteur.
- Éloignez l'essence des étincelles, des flammes, des veilleuses, de la chaleur et de toute autre source d'inflammation.
- N'allumez pas de cigarette ou ne fumez pas à proximité de l'appareil.

1. Nettoyez la partie autour du bouchon du réservoir d'essence, enlevez le bouchon.
2. Ajoutez lentement de l'essence sans plomb ordinaire (A) dans le réservoir d'essence (B). Faites attention pour ne pas trop remplir. Laissez environ 4 cm (1.5") (C) d'espace de réservoir pour l'expansion du carburant.



3. Remettez le bouchon à essence et attendez que l'essence déversée s'évapore.

ATTENTION! Les carburants à l'alcool (appelés essence-alcool, éthanol ou méthanol) attirent l'humidité, ce qui entraîne la séparation et la formation d'acides durant l'entreposage. Les gaz acides peuvent endommager le système d'alimentation du moteur pendant l'entreposage.

Pour éviter les problèmes reliés à la performance, le système d'alimentation en essence devrait être traité avec un conservateur d'essence ou vidé avant un entreposage de 30 jours ou plus. Vidangez le réservoir d'essence, démarrez le moteur et laissez-le tourner jusqu'à ce que les conduits d'essence et le carburateur soient vides. Utilisez de l'essence fraîche la saison suivante. Pour obtenir plus de renseignements, consultez la section *Entreposage*.

N'utilisez JAMAIS de produits de nettoyage de moteur ou de carburateur dans le réservoir à essence, ils pourraient causer des dommages irréversibles.

Altitude élevée

À des altitudes élevées (plus de 1 524 m / 5 000 pi), il est acceptable d'utiliser des essences présentant un indice minimum de 85 octane / 85 AKI (89 IOR). Un réglage pour les altitudes élevées est requis pour respecter les normes relatives aux émissions. Une utilisation sans ce réglage entraîne une diminution de la performance, une augmentation de la consommation d'essence et des émissions. Consultez un détaillant Sears qualifié au sujet de renseignements relatifs au réglage pour les altitudes élevées. L'utilisation à des altitudes inférieures à 762 mètres (2 500 pieds) avec la trousse pour les altitudes élevées n'est pas recommandée.

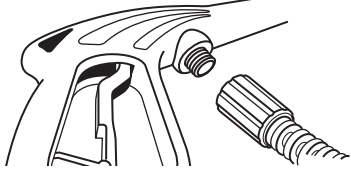
Raccorder le tuyau et la source d'eau à la pompe

AVISO: NO haga funcionar la bomba si no tiene el suministro conectado y abierto.

- El daño a la limpiadora a presión, resultado de la desatención a esta precaución, no será cubierto por la garantía.

REMARQUE : Enlevez et jetez les bouchons d'expédition de la sortie haute pression des pompes et de l'admission de l'eau avant de brancher les boyaux.

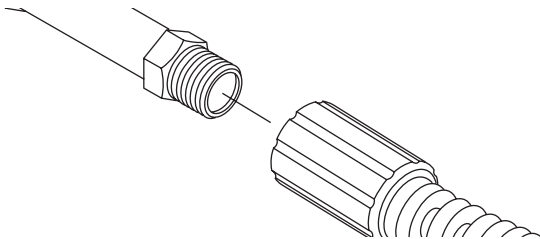
1. Déroulez le tuyau à haute pression et fixez le à la base du pistolet pulvérisateur. Serrez manuellement.



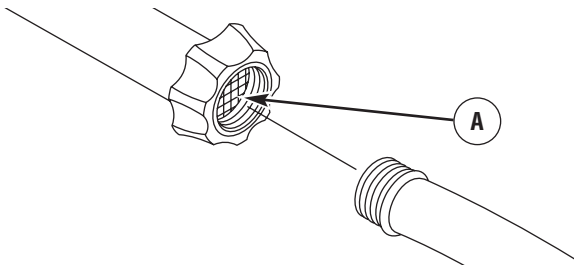
⚠ AVERTISSEMENT: Le jet d'eau sous pression produit par cet équipement peut percer la peau et les tissus sous-jacents, risquant de provoquer des blessures graves pouvant mener à une amputation.

- Ne connectez JAMAIS le boyau à haute pression à la rallonge de buse.
- Gardez toujours le tuyau flexible à haute pression raccordé à la pompe et au pistolet de pulvérisation lorsque le système est sous pression.
- Assurez-vous toujours que le pistolet de pulvérisation, les buses et les accessoires sont bien fixés.

2. Fixez l'autre extrémité du tuyau à haute pression à la prise haute pression sur la pompe. Serrez manuellement.



3. Avant de brancher votre tuyau d'arrosage à la prise d'eau, inspectez la filtre intégré (A). Nettoyez la filtre intégré si elle contient des débris, remplacez-la si elle est endommagée. NE vous servez PAS du nettoyeur à pression si la filtre intégré est endommagée.



4. Faites couler de l'eau dans le tuyau d'arrosage pendant 30 secondes pour nettoyer tous les débris. Fermez le robinet d'eau.

IMPORTANT: NE siphonnez PAS de l'eau stagnante pour vous en servir. Utilisez SEULEMENT de l'eau froide (à moins de 100°F (38°C)).

AVIS: L'utilisation d'un clapet de non-retour (reniflard ou soupape de sûreté) à l'entrée de la pompe peut entraîner l'endommagement de la pompe ou du connecteur d'entrée.

- Il doit y avoir une longueur d'au moins dix pieds (trois mètres) de boyau d'arrosage libre entre l'entrée du nettoyeur à haute pression et tout dispositif, tel que reniflard ou soupape de sûreté.
 - Les dommages infligés au nettoyeur à pression par suite de ne pas avoir respecté cette consigne, ne seront pas couverts par la garantie.
5. Connectez le tuyau d'arrosage (ne pas dépasser 50 pieds (15.24 m) dans la longueur) à la prise d'eau. Serrez manuellement.

⚠ AVERTISSEMENT: Risque de blessure aux yeux.
Le jet peut rejaillir sur vous ou propulser des objets.



- Portez toujours des lunettes de sécurité lorsque vous utilisez cet appareil ou que vous vous trouvez à proximité d'un appareil en marche.
- Avant de démarrer le nettoyeur à pression, assurez-vous de porter des lunettes de sécurité appropriées.
- Utilisez TOUJOURS des lunettes de sécurité appropriées.

6. OUVREZ le robinet d'eau et appuyez sur la gâchette du pistolet pulvérisateur afin de purger l'air et les impuretés du système de la pompe.

Liste de vérifications avant de démarrer le moteur

Examinez l'assemblage de l'appareil pour confirmer que vous avez effectué tout ce qui suit:

1. Assurez-vous d'avoir lu les *Règles de Sécurité* et *Comment Utiliser Votre Nettoyeur à Pression* avant de l'utiliser.
2. Assurez-vous que la poignée est en place et bien fixée.
3. Vérifiez qu'il y a de l'huile dans le carter, jusqu'au niveau approprié.
4. Ajoutez de l'essence dans le réservoir.
5. Vérifiez que les connexions du tuyau sont correctement serrées (haute pression et eau) et qu'il n'y ait pas de coude, de coupures ou d'endroits abîmés.
6. Fournissez de l'eau à une cadence appropriée.

OPÉRATION

COMMENT UTILISER VOTRE NETTOYEUR À PRESSION

Si vous avez des problèmes à faire fonctionner votre nettoyeur à pression, n'hésitez pas à appeler le service d'assistance au 1-800-222-3136.

Emplacement de la nettoyeur à pression

Dégagement de la nettoyeur à pression

▲ AVERTISSEMENT: La chaleur et les gaz d'échappement peuvent enflammer des matériaux combustibles et les structures ainsi que causer des dommages au réservoir d'essence et entraîner un incendie.

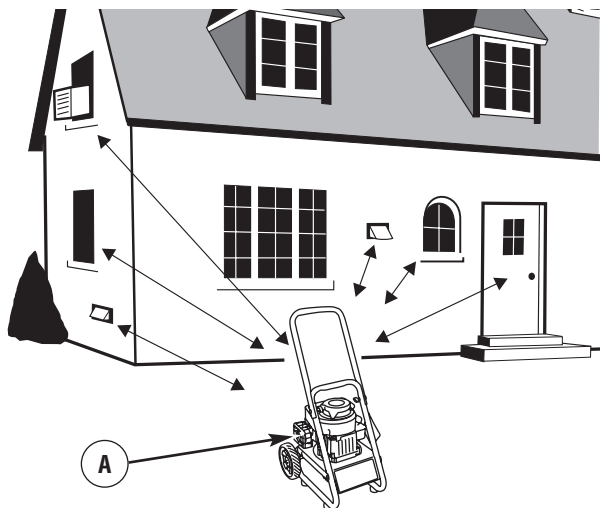
- Laissez un dégagement d'au moins 1,5 m (5 pi) tout autour de la nettoyeur à pression, y compris au-dessus.

Placez la nettoyeur à pression dans un endroit bien ventilé qui permet l'élimination des gaz d'échappement mortels. N'installez PAS la nettoyeur à pression dans un endroit où les gaz d'échappement (A) pourraient s'accumuler et pénétrer ou être aspirés dans un édifice qui pourrait être occupé. Assurez-vous que les gaz d'échappement ne puissent entrer par une fenêtre, une porte, une prise d'aération ou une autre ouverture qui pourrait leur permettre de s'accumuler dans un espace restreint. Tenez aussi compte des vents dominants et des courants d'air au moment de choisir l'endroit où vous installerez la nettoyeur à pression.

▲ AVERTISSEMENT: Le nettoyeur à pression, lorsqu'il fonctionne, produit du monoxyde de carbone, un gaz toxique inodore et incolore.

L'inhalation du monoxyde de carbone peut causer des maux de tête, de la fatigue, des étourdissements, le vomissement, de la confusion, des crises épileptiques, des nausées, l'évanouissement ou la mort.

- Faites fonctionner le nettoyeur à pression SEULEMENT à l'extérieur.
- Évitez que les gaz d'échappement entrent dans un espace restreint, par une fenêtre, une porte, une prise d'aération ou toute autre ouverture.
- NE démarrez, ni ne faites fonctionner un moteur à l'intérieur ou dans un espace fermé, même si les fenêtres ou les portes sont ouvertes.



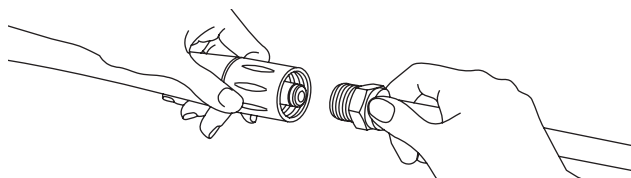
Mettre Votre Nettoyeur à Haute Pression en Marche

Pour démarrer votre nettoyeur à haute pression la première fois, suivez ces instructions pas à pas. Cette information qui vous aide à mettre votre nettoyeur à haute pression en marche s'applique également s'il est resté sans fonctionner pendant au moins une journée.

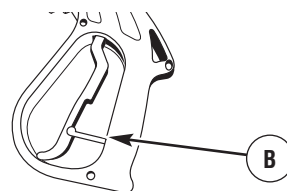
1. Placer la rondelle de pression près d'un hors de la source d'eau capable d'alimentation d'eau à un taux de flux plus grand que 2.9 gallons par la minute et aucun moins que 20 PSI à la fin de rondelle de pression du tuyau de jardin.
2. Vérifiez que le tuyau à haute pression est bien serré sur le pistolet pulvérisateur et sur la pompe. Consultez les illustrations de la rubrique "Assemblage du Nettoyeur à Haute Pression".
3. Vérifiez que l'appareil est en position horizontale.
4. Branchez le tuyau d'arrosage à la source d'eau sur la pompe du nettoyeur à pression.

AVIS: NE faites PAS marcher la pompe sans que le nettoyeur à pression soit connecté à la source d'eau ouverte.

- Vous devez suivre cet avertissement, au risque d'endommager la pompe.
5. Ouvrez l'eau, dirigez le pistolet vers un endroit sécuritaire et appuyez sur la détente pour purger la pompe de l'air et des impuretés qui s'y trouvent.
 6. Fixez la rallonge du gicleur au pistolet pulvérisateur. Serrez manuellement.



7. Engagez le verrou de sécurité (B) de la gâchette du pistolet pulvérisateur.



IMPORTANT: Avant de démarrer le nettoyeur à pression, assurez-vous de porter des lunettes de sécurité appropriées.

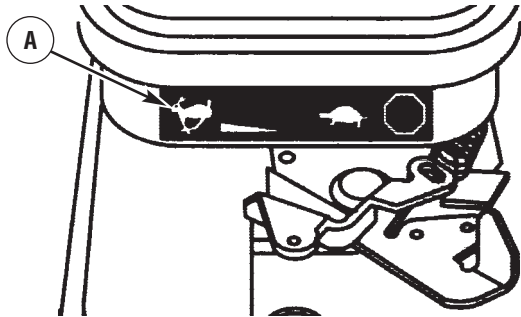
▲ AVERTISSEMENT: Risque de blessure aux yeux.

Le jet peut rejaillir sur vous ou propulser des objets.



- Portez toujours des lunettes de sécurité lorsque vous utilisez cet appareil ou que vous vous trouvez à proximité d'un appareil en marche.
- Avant de démarrer le nettoyeur à pression, assurez-vous de porter des lunettes de sécurité appropriées.
- Utilisez TOUJOURS des lunettes de sécurité appropriées.

8. Placez la manette de poussée de puissance en position "Rapide" (A), illustrée ici par un lapin.



Pour démarrer le moteur pour la première fois:

- 9A. Poussez la pompe d'amorçage fermement 5 fois, en attendant 2 secondes entre chaque poussée.

Par la suite, pour démarrer le moteur:

- 9B. Actionnez la pompe d'amorçage fermement 3 fois, en attendant 2 secondes entre chaque poussée. Si le moteur est chaud, N'actionnez PAS la pompe d'amorçage.
10. Lors du démarrage du moteur, placez-vous tel que recommandé, saisissez la poignée du démarreur et tirez lentement jusqu'à ce que vous sentiez de la résistance. Tirez alors rapidement pour démarrer le moteur.



⚠ AVERTISSEMENT: Un effet de recul (rétroaction rapide) de la corde du démarreur pourrait entraîner des blessures corporelles. L'effet de recul tirera votre main et votre bras vers le moteur plus rapidement que vous ne pouvez relâcher la corde.

- Vous risquez ainsi de subir des fractures, des ecchymoses ou des entorses.
- NE tirez JAMAIS sur la corde du démarreur sans avoir d'abord libéré la pression du pistolet de pulvérisation.
 - Lors du démarrage du moteur, tirez lentement sur la corde jusqu'à ce que vous sentiez une résistance et tirez alors rapidement afin d'éviter un effet de recul.
 - Après chaque tentative de démarrage, alors que le moteur n'a pas démarré, dirigez toujours le pistolet vers un endroit sécuritaire et appuyez sur la détente du pistolet de pulvérisation pour libérer la haute pression. Engagez le verrou de la détente du pistolet de pulvérisation.
 - Lorsque vous utilisez une vaporisation à haute pression, saisissez fermement le pistolet de vaporisation avec les deux mains afin d'éviter les risques de blessures entraînés par les effets de recul.

11. Ramenez la poignée du démarreur lentement. NE laissez PAS le cordon se frapper contre le démarreur.

REMARQUE: Toujours garder l' manette de poussée dans le "Rapide" la position en opérant la nettoyeur à pression.

⚠ AVERTISSEMENT: Le jet d'eau sous pression produit par cet équipement peut percer la peau et les tissus sous-jacents, risquant de provoquer des blessures graves pouvant mener à une amputation.

Le pistolet de pulvérisation retient une pression d'eau élevée, même lorsque le moteur est éteint et que l'eau est déconnectée, ce qui peut causer des blessures.

- N'autorisez jamais des ENFANTS à se servir du nettoyeur à pression.
- Gardez toujours le tuyau flexible à haute pression raccordé à la pompe et au pistolet de pulvérisation lorsque le système est sous pression.
- N'visez jamais des personnes, des animaux ou des plantes avec le pistolet pulvérisateur.
- NE verrouillez PAS le pistolet de pulvérisation dans la position ouverte.
- NE laissez PAS le pistolet de pulvérisation sans surveillance alors que l'appareil est en marche.
- N'utilisez JAMAIS un pistolet de pulvérisation qui n'est pas muni d'un verrou d'arme ou d'un pontet installé et en ordre de marche.
- Assurez-vous toujours que le pistolet de pulvérisation, les buses et les accessoires sont bien fixés.

⚠ AVERTISSEMENT: Tout contact avec la zone du silencieux peut causer des brûlures graves. La chaleur et les gaz d'échappement peuvent enflammer des matériaux

combustibles et les structures ainsi que causer des dommages au réservoir d'essence et entraîner un incendie.

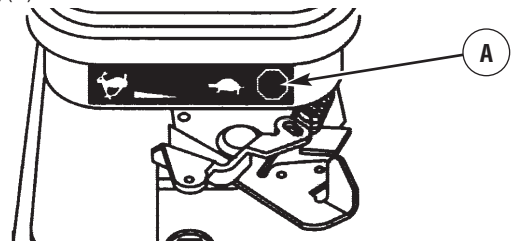
- NE touchez PAS aux pièces chaudes et évitez le contact avec les gaz d'échappement.
- Laissez l'équipement refroidir avant de le toucher.
- Laissez un dégagement d'au moins 1,5 m (5 pi) tout autour de la nettoyeur à pression, y compris au-dessus.
- L'utilisation ou le fonctionnement d'un moteur sur un terrain boisé, couvert de broussailles ou gazonné constitue une violation dans l'État de la Californie, en vertu de la section 4442 du California Public Resources Code, à moins qu'il ne soit doté d'un pare-étincelles tel que défini dans la section 4442 et maintenu en bon état de fonctionnement. Il se peut que d'autres États ou d'autres compétences fédérales aient des lois semblables.

Communiquez avec le fabricant, le détaillant ou le concessionnaire original de l'appareil afin d'obtenir un pare-étincelles conçu pour le système d'échappement installé sur ce moteur.

- Les pièces de rechange doivent être identiques aux pièces d'origine et être installées à la même position.

Comment arrêter votre nettoyeur à pression

1. Relâchez la détente du pistolet de pulvérisation et laissez le moteur tourner au ralenti durant deux minutes.
2. Placez le levier de papillon du moteur en position d'arrêt (Stop)(A).



3. Dirigez TOUJOURS le pistolet vers un endroit sécuritaire et appuyez sur la détente du pistolet de pulvérisation pour libérer la haute pression de l'eau.

IMPORTANT: Le pistolet de pulvérisation retient une pression d'eau élevée, même lorsque le moteur est éteint et que l'eau est déconnectée.

⚠ AVERTISSEMENT: Le jet d'eau sous pression produit par cet équipement peut percer la peau et les tissus sous-jacents, risquant de provoquer des blessures graves pouvant mener à une amputation.

Le pistolet de pulvérisation retient une pression d'eau élevée, même lorsque le moteur est éteint et que l'eau est déconnectée, ce qui peut causer des blessures.

- Gardez toujours le tuyau flexible à haute pression raccordé à la pompe et au pistolet de pulvérisation lorsque le système est sous pression.
- Avant de démarrer le moteur, dirigez **TOUJOURS** le pistolet vers un endroit sécuritaire et appuyez sur la détente du pistolet de pulvérisation pour libérer la haute pression et éviter un effet de recul. Lorsque vous n'utilisez pas le pistolet, engagez le verrou de la détente.

4. Lorsque vous n'utilisez pas le pistolet, engagez le verrou de la détente.

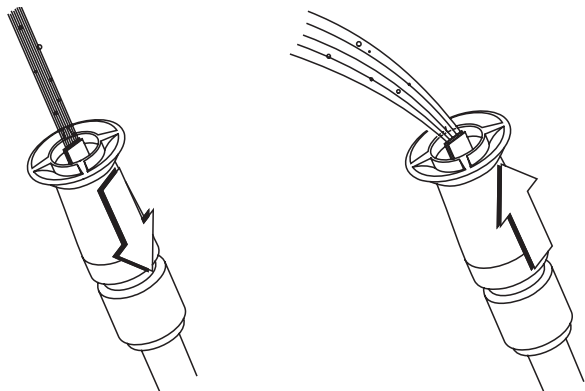
Comment utiliser les gicleurs réglables

Vous savez maintenant comment **DÉMARRER** et **ARRÊTER** votre nettoyeur à haute pression. L'information fournie dans cette section vous indique comment régler la forme du jet et appliquer des produits détergents ou tout autre produit chimique de nettoyage.

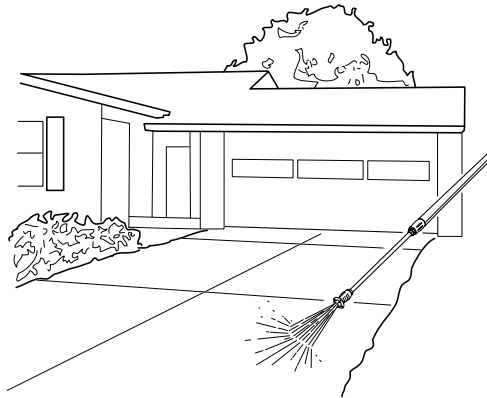
⚠ AVERTISSEMENT: Le jet d'eau sous pression produit par cet équipement peut percer la peau et les tissus sous-jacents, risquant de provoquer des blessures graves pouvant mener à une amputation.

- **NE RÉGLEZ JAMAIS** la forme du jet lorsque vous pulvérisez.
- **NE PLACEZ JAMAIS** vos mains en face du gicleur pour régler la forme du jet.

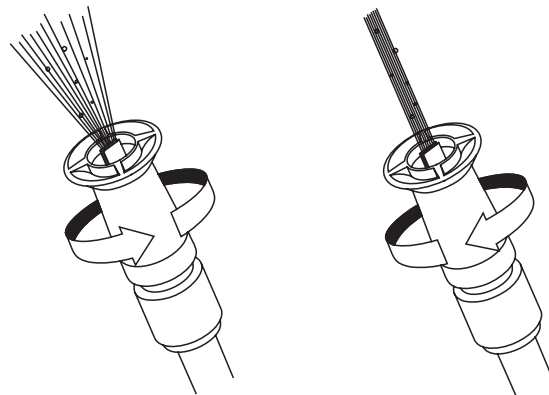
1. Faites glisser le gicleur vers l'avant pour régler le jet en mode basse pression. Faites glisser le gicleur vers l'arrière pour atteindre la pression élevée.



2. Dirigez le gicleur vers le bas sur une surface dure et appuyez sur la gâchette pour essayer.



3. En tournant le gicleur, vous réglez la forme du jet, étroite ou en éventail.



Conseils d'utilisation

- Pour nettoyer de façon plus efficace, tenez le gicleur à une distance de 8 à 24 pouces de la surface à nettoyer.
- Si vous placez le gicleur trop près, surtout si vous êtes en mode haute pression, vous risquez d'abîmer la surface à nettoyer.
- **NE** vous approchez **PAS** à plus de 6 pouces lorsque vous nettoyez des pneus.

Appliquer des produits détergents avec le gicleur réglable

⚠ ATTENTION: Les produits chimiques peuvent entraîner des blessures corporelles ou des dommages matériels.

- Ne **JAMAIS** utiliser de liquide caustique avec le nettoyeur à haute pression.
- Utilisez **SEULEMENT** des détergents/savons sans risque d'endommagement pour le nettoyeur à pression.

Pour appliquer des produits détergents, procédez comme suit:

1. Consultez la rubrique traitant de l'utilisation des gicleurs réglables.
2. Préparez une solution détergente comme requis par le fabricant.
3. Placez la petite extrémité du filtre du tube siphon dans le récipient de détergent.

REMARQUE: Assurez-vous que le filtre est entièrement immergé dans le détergent lors de l'application du détergent.

AVIS: Tout contact avec le silencieux chaud peut endommager le tube de siphonnement du détergent.

- Lorsque vous insérez le filtre dans une bouteille de solution de détergent, placez le tube de manière à ce qu'il n'entre pas en contact par mégarde avec le silencieux chaud.

4. Faites glisser le gicleur réglable vers l'avant en mode basse pression.

REMARQUE: Les produits détergents ne peuvent être appliqués avec le gicleur en position haute pression.

5. Assurez-vous que le boyau d'arrosage est connecté à l'entrée d'eau. Vérifiez si le boyau à haute pression est connecté au pistolet de pulvérisation et à la pompe. Ouvrez l'alimentation d'eau.

AVIS: Vous devez attacher tous les tuyaux avant de démarrer le moteur.

- Si vous démarrez le moteur sans que tous les tuyaux soient branchés et sans que l'eau soit OUVERTE, vous allez abîmer la pompe.
- Vous devez suivre cet avertissement, au risque d'endommager la pompe.

6. Engagez le verrou de la détente du pistolet de pulvérisation et démarrez le moteur selon les directives *Comment démarrer votre nettoyeur à pression*.
7. Appliquez le détergent sur une surface sèche, en commençant par la partie inférieure de la surface à nettoyer et travaillez vers le haut, avec de longs mouvements réguliers et qui se chevauchent.
8. Laissez le détergent "trempé" pendant 3 à 5 minutes avant de laver et de rincer. Appliquez à nouveau, si besoin est, pour éviter que la surface ne sèche. Ne laissez pas le détergent sécher (pour éviter les traces).

REMARQUE: Vous devez rincer le système d'injection de produits chimiques après chaque utilisation en plaçant le filtre dans un seau rempli d'eau claire, puis faire fonctionner le nettoyeur à haute pression à basse pression pendant 1 à 2 minutes.

Rincer le nettoyeur à pression

Pour rincer:

1. Faites glisser le gicleur vers l'arrière sur haute pression et appuyez sur la gâchette. Il faudra quelques secondes pour que le détergent se vide.

REMARQUE: Vous pouvez également empêcher le détergent de couler en enlevant simplement le tube siphon de la bouteille.

2. NE placez PAS le pistolet pulvérisateur trop près de la surface que vous désirez pulvériser.

▲ AVERTISSEMENT: Un effet de recul du pistolet de pulvérisation pourrait entraîner une chute.



- Utilisez le nettoyeur à pression à partir d'une surface stable.
- Soyez très vigilant si vous devez utiliser le nettoyeur à pression lorsque vous êtes dans une échelle, un échafaudage ou autre emplacement similaire.
- Lorsque vous utilisez une vaporisation à haute pression, saisissez fermement le pistolet de vaporisation avec les deux mains afin d'éviter les risques de blessures entraînés par les effets de recul.

3. Appliquez le jet à haute pression sur une petite surface, puis vérifiez-la pour voir si elle n'est pas abîmée. Si elle n'est pas abîmée, vous pouvez continuer.
4. Commencez en haut de l'endroit que vous devez rincer, en descendant avec les mêmes mouvements qui se chevauchent comme lorsque vous avez nettoyé.

Tube de siphonnement du détergent

Si vous utilisez le tube de siphonnement du détergent, vous devez le rincer à l'eau propre avant d'arrêter le moteur.

1. Placez le siphon/filtre d'injection de produits chimiques dans un seau rempli d'eau.
2. Engagez le verrou de sécurité de la gâchette du pistolet pulvérisateur.
3. Faites glisser le gicleur réglable vers l'avant en mode basse pression.
4. Rincez durant 1 à 2 minutes.
5. Arrêtez le moteur selon les directives *Comment arrêter le nettoyeur à pression* et fermez l'alimentation en eau.
6. Dirigez TOUJOURS le pistolet vers un endroit sécuritaire et appuyez sur la détente du pistolet de pulvérisation pour libérer la haute pression de l'eau.

IMPORTANT: Le pistolet de pulvérisation retient une pression d'eau élevée, même lorsque le moteur est éteint et que l'eau est déconnectée.

▲ AVERTISSEMENT: Le jet d'eau sous pression produit par cet équipement peut percer la peau et les tissus sous-jacents, risquant de provoquer des blessures graves pouvant mener à une amputation.

Le pistolet de pulvérisation retient une pression d'eau élevée, même lorsque le moteur est éteint et que l'eau est déconnectée, ce qui peut causer des blessures.

- Gardez toujours le tuyau flexible à haute pression raccordé à la pompe et au pistolet de pulvérisation lorsque le système est sous pression.
- Avant de démarrer le moteur, dirigez TOUJOURS le pistolet vers un endroit sécuritaire et appuyez sur la détente du pistolet de pulvérisation pour libérer la haute pression et éviter un effet de recul. Lorsque vous n'utilisez pas le pistolet, engagez le verrou de la détente.

Système de refroidissement automatique (surpression thermique)

Si vous faites tourner le moteur de votre pulvérisateur pendant 3 à 5 minutes sans appuyer sur la gâchette du pistolet pulvérisateur, l'eau qui circule dans la pompe peut atteindre une température de 51° à 68°C (125° à 155°F). Lorsque l'eau atteint cette température, le système de refroidissement automatique se **déclenche et refroidit la pompe en vidant l'eau chaude sur le sol.**

CARACTÉRISTIQUES

RENSEIGNEMENTS TECHNIQUES SUR LE MOTEUR

Il s'agit d'un moteur à un cylindre à soupapes latérales refroidi à l'air, de type peu polluant.

Les moteurs de la 90000 sont homologués dans l'état de la Californie par le California Air Resources Board. Selon cet organisme, ils satisferont les normes relatives aux émissions durant 125 heures d'utilisation. Ce type d'homologation ne donne à l'acheteur, au propriétaire ou à l'utilisateur aucune garantie supplémentaire en ce qui a trait à la performance ou à la durée de vie du moteur. La garantie du moteur ne couvre que les garanties relatives au produit et aux émissions dont il est fait mention ailleurs dans ce manuel.

Puissance nominale

Les étiquettes de puissance nominale brute des modèles de moteur à essence sont conformes au code SAE (Society of Automotive Engineers) J1940 (Small Engine Power & Torque Rating Procedure) et la performance nominale a été obtenue et corrigée selon le code SAE J1995 (Révision 2002-05). La puissance brute réelle du moteur sera inférieure et influencée entre autres par les conditions ambiantes de fonctionnement et la variabilité d'un moteur à l'autre. Étant donné la vaste gamme de produits sur lesquels les moteurs sont installés, ainsi que la variété de problèmes environnementaux reliés au fonctionnement de l'équipement, le moteur à essence ne développe pas la puissance nominale brute lorsqu'il est utilisé pour entraîner un appareil donné (puissance d'utilisation nette « sur le site » ou réelle). La différence peut être liée à divers facteurs incluant, sans s'y limiter, aux accessoires (filtre à air, échappement, recharge, refroidissement, carburateur, pompe à carburant, etc.), limites des applications, conditions ambiantes de fonctionnement (température, humidité, altitude) et la variabilité d'un moteur à l'autre. En raison des limites de fabrication et de capacités, Briggs & Stratton peut remplacer les moteurs de cette série par un moteur d'une plus grande puissance nominale.

Les caractéristiques nominales de ce nettoyeur à haute pression sont conformes à la norme PW101 de la Pressure Washer Manufacture Association (PWMA) (Tests et performance nominale des nettoyeurs à haute pression).

CARACTÉRISTIQUES DU PRODUIT

Caractéristiques du nettoyeur à pression

Pression nominale137,89 BAR (2,000 PSI)
Débit d'écoulement7,19 L/MIN (1,9 GPM)
DétergentUtilisez un détergent homologué pour les pulvérisateurs
Température De L'eauNe doit pas dépasser 38°C (100°F)

Caractéristiques du moteur

Alésage 65,09 mm (2,562 po.)
Course de piston 44,45 mm (1,75 po.)
Cylindre 147,8 cc (9,02 po.)
Bougie d'allumage
Type : Briggs & Stratton 802592 ou 5095D
Définir l'écartement à : 0,76mm (0,030 po)
Distance d'éclatement : 0,15-0,25 mm (0,006-0,010 po)
Jeu des soupapes avec ressorts de soupape installés et piston 6 mm (1/4 po) passé le point mort supérieur (à vérifier lorsque le moteur est froid).
Admission 0,13-0,18 mm (0,005-0,007 po)
Échappement 0,18-0,23 mm (0,007-0,009 po)
Capacité du réservoir de combustible 0,95 l (1,0 pinte US)
Capacité du huile 0,5 l (18 onces US)

REMARQUE: Pour un meilleur fonctionnement, la charge utile de l'alternateur ne devrait pas dépasser 85 % de la puissance nominale. La puissance du moteur sera réduite de 3,5 % pour chaque 300 mètres (1 000 pieds) au-dessus du niveau de la mer, et de 1 % pour chaque 5,6° C (10° F) au-dessus de 25° C (77° F). Il devrait fonctionner de façon satisfaisante jusqu'à un angle maximum de 15°.

ENTRETIEN

RESPONSABILITÉS DU PROPRIÉTAIRE

Respectez le calendrier d'entretien du nettoyeur selon le nombre d'heures de fonctionnement ou le temps écoulé, le premier des deux prévalant.

Lorsque l'appareil est utilisé dans les conditions adverses décrites ci-dessous, il faut en faire l'entretien plus fréquemment.

Cinq (5) premières heures
• Changer l'huile du moteur
Aux 8 heures ou Quotidien
• Vérifier/nettoyer la crépine d'eau d'arrivée ¹
• Vérifier le tuyau à haute pression
• Vérification du tube de siphonnement du détergent
• Vérifier la présence de fuites dans le pistolet à pulvérisation et l'assemblage
• Nettoyez les débris
• Vérifier le niveau d'huile du moteur
Aux 25 heures ou 1 fois l'an
• Faire l'entretien du filtre à air ²
Aux 50 heures ou 1 fois l'an
• Changer l'huile du moteur
• Inspectez le silencieux et l'écran pare-étincelles
Aux 100 heures ou 1 fois l'an
• Faire l'entretien de la bougie d'allumage
• Nettoyez le système de refroidissement ²

¹ Nettoyez l'appareil s'il est encrassé. Remplacez toute pièce perforée ou endommagée.

² Remplacez les pièces plus fréquemment si vous utilisez l'appareil dans un milieu sale ou poussiéreux.

Recommandations Général

Un entretien régulier améliorera la performance et prolongera la durée de vie du nettoyeur à haute pression. Consultez un détaillant autorisé Sears pour l'entretien.

La garantie du nettoyeur à pression ne couvre pas les éléments soumis à l'abus ou à la négligence de l'opérateur. Pour obtenir la pleine application de la garantie, il faut que l'opérateur fasse l'entretien du nettoyeur à haute pression conformément aux directives de ce manuel d'utilisation y compris son entreposage adéquat selon les directives de la section *Entreposage*.

Pour assurer l'entretien adéquat du nettoyeur à haute pression, il faut effectuer périodiquement certains réglages.

Il faut effectuer toutes les opérations d'entretien et les réglages au moins une fois par saison. Suivez les instructions du *Calendrier d'entretien* ci-dessus.

REMARQUE: Une fois par année, vous devez nettoyer ou remplacer la bougie d'allumage et remplacer le filtre à air. Une nouvelle bougie d'allumage et un filtre à air propre permettent d'assurer que le mélange essence-air est adéquat en plus de contribuer au meilleur fonctionnement de votre moteur et d'augmenter sa durée de vie.

Entretien de la pompe à huile

NE tentez PAS d'effectuer d'entretien relatif à l'huile sur la pompe. La pompe est pré-lubrifiée et scellée à l'usine, ne nécessitant aucun entretien supplémentaire au cours de la durée de vie de la pompe.

Contrôle des émissions

L'entretien, le remplacement ou la réparation des dispositifs et systèmes antipollution peuvent être effectués par un établissement de réparation de moteurs hors route ou par une personne qualifiée. Pour obtenir un entretien « sans frais » du dispositif antipollution, le travail doit être effectué par un détaillant autorisé par le fabricant. Voir la *garantie du dispositif antipollution*.

Avant Chaque Utilisation

1. Vérifiez le niveau d'huile du moteur.
2. Nettoyage des débris.
3. Vérifiez si la grille de la prise d'eau n'est pas abîmée.
4. Vérifiez si le tuyau à haute pression n'a pas de fuite.
5. Vérifiez si des dommages sont visibles sur le tube de siphonnement du détergent.
6. Vérifiez si le pistolet pulvérisateur et de l'assemblage de la rallonge réglable du gicleur n'ont pas de fuite.
7. Rincez le boyau d'arrosage pour déloger tous débris.

ENTRETIEN DU NETTOYEUR À PRESSION

Nettoyage des débris

Nettoyez les débris accumulés sur le nettoyeur à pression tous les jours ou avant de l'utiliser. Gardez toujours la tringlerie, le ressort et les commandes propres. Gardez la zone autour et derrière le silencieux libre de débris combustibles. Inspectez les fentes d'air de refroidissement et les ouvertures sur le nettoyeur à pression. Ces ouvertures doivent demeurer propres et non obstruées.

Les parties du nettoyeur à haute pression doivent être gardées propres afin de réduire le risque de surchauffe et d'inflammation des débris accumulés.

- Utilisez un linge humide pour nettoyer les surfaces extérieures.

AVIS: Un traitement inapproprié du nettoyeur à pression risque de l'endommager et de raccourcir sa durée d'utilisation.

- N'insérez aucun objet dans les fentes de refroidissement.

- Utilisez une brosse à soies douces pour détacher les accumulations de saletés, d'huile, etc.
- Utilisez un aspirateur pour ramasser les saletés et débris.

Vérifiez et nettoyez la grille de la prise d'eau

Inspectez la grille de la prise d'eau. Nettoyez-la si elle est bouchée ou remplacez-la si elle est endommagée.

Vérifiez le tuyau à haute pression

Le tuyau à haute pression peut avoir des fuites, s'il est usé, tordu ou mal utilisé. Inspectez le tuyau avant chaque utilisation. Vérifiez tous les tuyaux pour les coupures, les fuites, l'abrasion ou le gonflement du couvercle, ou si certains raccords sont abîmés ou mobiles. Si vous remarquez quelque chose, remplacez immédiatement le tuyau.

- ▲ AVERTISSEMENT:** Le jet d'eau sous pression produit par cet équipement peut percer la peau et les tissus sous-jacents, risquant de provoquer des blessures graves pouvant mener à une amputation.
- NE réparez jamais les tuyaux à haute pression. Remplacez.
 - Le tuyau de remplacement DOIT résister à une pression supérieure à la pression nominale du nettoyeur.

Vérifiez le pistolet et la rallonge de gicleur réglable

Inspectez le raccord du tuyau sur le pistolet pulvérisateur, s'il est correctement fixé. Essayez la gâchette en appuyant et en vous assurant qu'elle "s'enclenche" en place lorsque vous la relâchez. Placez le verrou de sécurité en position MARCHE et essayez la gâchette. Vous ne devriez pas pouvoir l'enfoncer. Remplacez le pistolet immédiatement s'il échoue un de ces essais.

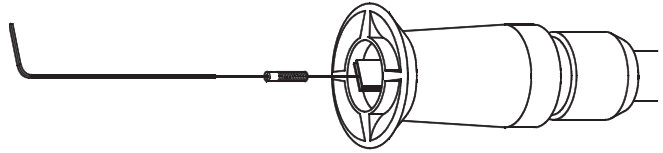
Entretien du gicleur

Vous sentirez des pulsations lorsque vous appuyez sur la gâchette du pistolet pulvérisateur s'il y a une pression excessive dans la pompe. La cause principale de cette pression excessive dans la pompe est un gicleur bouché ou encombré par des matériaux étrangers, comme de la poussière, etc. Pour régler le problème, nettoyez immédiatement le gicleur à l'aide des outils qui accompagnent votre pulvérisateur et procédez comme suit:

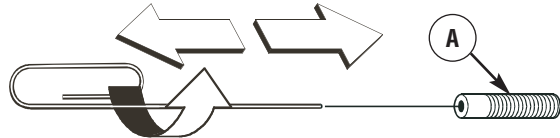
1. Éteignez le moteur et fermez l'arrivée d'eau.
2. Dirigez TOUJOURS le pistolet vers un endroit sécuritaire et appuyez sur la détente du pistolet de pulvérisation pour libérer la haute pression de l'eau.

- ▲ AVERTISSEMENT:** Le jet d'eau sous pression produit par cet équipement peut percer la peau et les tissus sous-jacents, risquant de provoquer des blessures graves pouvant mener à une amputation.
- Le pistolet de pulvérisation retient une pression d'eau élevée, même lorsque le moteur est éteint et que l'eau est déconnectée, ce qui peut causer des blessures.
- Gardez toujours le tuyau flexible à haute pression raccordé à la pompe et au pistolet de pulvérisation lorsque le système est sous pression.
 - Avant de démarrer le moteur, dirigez TOUJOURS le pistolet vers un endroit sécuritaire et appuyez sur la détente du pistolet de pulvérisation pour libérer la haute pression et éviter un effet de recul. Lorsque vous n'utilisez pas le pistolet, engagez le verrou de la détente.

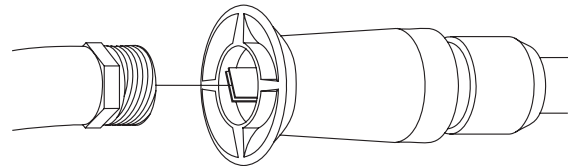
3. Détachez la rallonge du pistolet pulvérisateur.
4. Tournez le gicleur dans le sens des aiguilles d'une montre en position jet. À l'aide de la clé hexagonale de 2 mm (5/64) fournie, enlevez le gicleur de l'extrémité de la rallonge.



5. Utilisez un petit trombone pour retirer tout matériau qui bouche ou encombre le gicleur (A).



6. À l'aide d'un tuyau d'arrosage, enlevez les débris supplémentaires en injectant de l'eau à contre courant dans la rallonge du gicleur. Rincez pendant 30 à 60 secondes environ. Tournez la rallonge de gicleur réglable pour pulvériser en jet et bougez le gicleur de haut en bas tout en rinçant.



7. Réinstallez le gicleur dans la rallonge. NE serrez PAS trop le gicleur avec la clé hexagonale.
8. Raccordez la rallonge du pistolet pulvérisateur.
9. Assurez-vous que le boyau d'arrosage est connecté à l'entrée d'eau. Vérifiez si le boyau à haute pression est connecté au pistolet de pulvérisation et à la pompe. Ouvrez l'alimentation d'eau.
10. Engagez le verrou de la détente du pistolet de pulvérisation et démarrez le moteur selon les directives *Comment démarrer votre nettoyeur à pression*.
11. Essayez de faire fonctionner le pulvérisateur avec le gicleur en position haute et basse.

Entretien du joint torique

Procurez-vous un nécessaire de réparation de joint torique, au magasin Sears de votre localité, en téléphonant au numéro sans frais **1-800-4-MY-HOME (469-4663)** ou sur Internet à www.sears.ca. Ce nécessaire n'est pas inclus avec le nettoyeur à haute pression. Le nécessaire comprend des joints toriques de rechange, une rondelle de caoutchouc et un filtre d'arrivée d'eau. Pour remplacer les joints toriques de votre nettoyeur, consultez la feuille d'instructions fournie avec le nécessaire.

- ▲ AVERTISSEMENT:** Le jet d'eau sous pression produit par cet équipement peut percer la peau et les tissus sous-jacents, risquant de provoquer des blessures graves pouvant mener à une amputation.
- Ne réparez JAMAIS des raccords non étanches à l'aide de scellant. Remplacez le joint torique ou le joint d'étanchéité.

ENTRETIEN DU MOTEUR

⚠ AVERTISSEMENT: Unintentional peut résulter dans feu ou électrique.



LORSQUE VOUS RÉGLEZ OU RÉPAREZ VOTRE NETTOYEUR À PRESSION

- Débranchez toujours le câble de bougie et placez-le de façon à ce qu'il ne soit pas en contact avec la bougie.

LORS DE TESTS D'ALLUMAGE DU MOTEUR

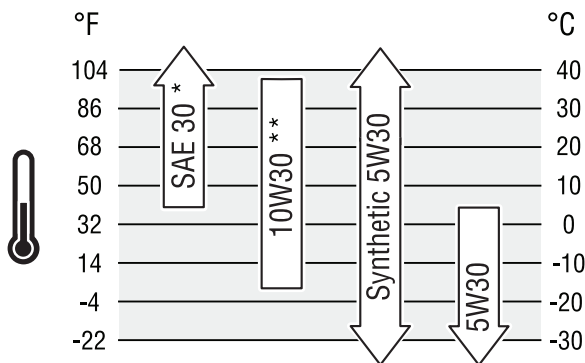
- Utilisez un vérificateur de bougies d'allumage approuvé.
- Ne vérifiez pas l'allumage lorsque la bougie d'allumage est enlevée.

Huile

Recommandations relatives à l'huile

Nous recommandons l'utilisation des huiles certifiées par garantie Briggs & Stratton pour obtenir une meilleure performance. Les autres huiles détergentes de haute qualité sont acceptables si elles ont les cotes pour service SF, SG, SH, SJ ou plus. N'utilisez PAS d'additifs spéciaux.

Les températures extérieures déterminent la viscosité de l'huile requise pour le moteur. Utilisez le tableau pour choisir la meilleure viscosité pour la gamme de températures extérieures attendues.



* Sous 40°F (4°C), l'utilisation d'une huile SAE 30 entraîne un démarrage difficile.

** Au-dessus de 80°F (27°C), l'utilisation d'une huile 10W30 peut entraîner une consommation d'huile plus élevée. Vérifiez fréquemment le niveau d'huile.

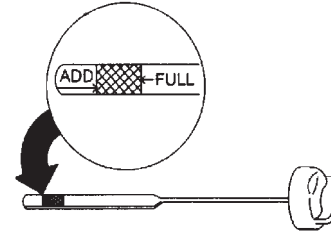


REMARQUE : L'huile synthétique respectant la marque d'homologation ILSAC GF-2, API et portant le symbole d'entretien API (montré à la gauche) avec la mention « SJ/CF (économie d'énergie) » ou plus, est une huile acceptable pour toutes les températures. L'utilisation d'huile synthétique ne modifie pas les intervalles de changement d'huile.

Vérification du niveau d'huile

Il est nécessaire de vérifier le niveau d'huile avant chaque utilisation ou après chaque période de 8 heures d'utilisation. Gardez un niveau d'huile constant.

1. Assurez-vous que nettoyeur à pression se trouve sur une surface de niveau.
2. Enlevez la jauge d'huile et nettoyez-la avec un linge. Replacez-la et resserrez-la. Retirez la jauge et vérifiez le niveau d'huile.
3. Vérifiez que l'huile est à la marque "Full" sur la jauge de niveau d'huile. Replacez-la et resserrez-la.



Ajout d'huile

1. Assurez-vous que nettoyeur à pression se trouve sur une surface de niveau.
2. Vérifiez le niveau d'huile de la manière décrite dans la rubrique *Vérification du niveau d'huile*.
3. Au besoin, videz lentement l'huile dans l'orifice de remplissage d'huile, jusqu'à marque "Full" sur la jauge de niveau d'huile. NE remplissez PAS trop le carter d'huile.

AVIS: Le moteur risque de ne pas démarrer ou de démarrer difficilement lorsqu'il est trop rempli d'huile.

- NE remplissez PAS trop.
 - Si le niveau d'huile dépasse la marque FULL de la jauge d'huile, vidangez l'huile de sorte que le niveau soit égal à la marque FULL de la jauge d'huile.
4. Replacez-la et resserrez-la.

Vidange de l'huile moteur

Si vous utilisez votre nettoyeur à pression dans un endroit très sale ou poussiéreux ou par temps très chaud, changez l'huile plus fréquemment.

⚠ ATTENTION: Évitez tout contact cutané prolongé ou répété avec l'huile moteur usagée.

- Il a été démontré que l'huile moteur usagée risque de provoquer un cancer de la peau chez certains animaux de laboratoire.
- Rincez consciencieusement les zones exposées avec de l'eau et du savon.



GARDEZ HOS DE PORTÉE DES ENFANTS. NE POLLUEZ PAS. CONSERVEZ LE SURPLUS. RAPPORTEZ L'HUILE USAGÉE AUX CENTRES DE RECYCLAGE.

Changez l'huile alors que le moteur est encore chaud, de la façon suivante:

1. Videz le réservoir d'essence en faisant tourner le nettoyeur à pression jusqu'à l'épuisement de l'essence.
2. Débranchez le fil de la bougie d'allumage et gardez-le éloigné de la bougie d'allumage.
3. Nettoyez la surface autour de l'orifice de remplissage d'huile, enlevez le bouchon de remplissage d'huile et la jauge d'huile. Essuyez la jauge d'huile.
4. Inclinez votre nettoyeur à haute pression pour vidanger l'huile par l'orifice de remplissage dans un contenant adéquat en vous assurant d'incliner le nettoyeur du côté opposé à la bougie d'allumage et au filtre à air. Une fois le carter vidé de son huile, remettez le nettoyeur debout.
5. Videz lentement l'huile (environ 18 oz (0,5 l)) dans l'orifice de remplissage d'huile, jusqu'à marque "Full" sur la jauge de niveau d'huile.
6. Essuyez la jauge d'huile chaque fois que vous vérifiez le niveau d'huile. NE remplissez PAS trop le carter d'huile.
7. Remplacez-la et resserrez-la.
8. Essuyez toute huile restante.
9. Rebranchez le fil de la bougie d'allumage à la bougie d'allumage.

Entretien du filtre à air

Votre moteur ne fonctionnera pas adéquatement et pourrait s'endommager si vous le faites fonctionner avec un filtre à air sale. Remplacez le filtre plus souvent si vous utilisez le nettoyeur dans un endroit sale ou poussiéreux. Vous trouverez des pièces de rechange au centre de service Sears de votre région.

Pour faire l'entretien du filtre à air, procédez comme suit:

1. Enlevez la vis (A).



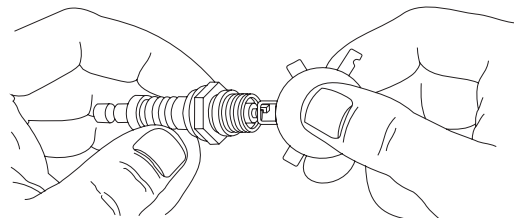
2. Enlevez l'ensemble filtre à air avec soin de manière à éviter la chute de débris dans le carburateur.
3. Démontez l'ensemble filtre à air et nettoyez-en toutes les pièces. Nettoyez le filtre à air en mousse (B) dans un mélange de détergent liquide et d'eau. Séchez le filtre en le comprimant dans un linge propre.
4. Saturez le filtre à air en mousse d'huile à moteur et compressez-le dans un linge propre pour enlever l'excédent d'huile.
5. Remontez l'ensemble filtre à air avec le filtre en mousse propre ou un filtre neuf (C).
6. Fixez solidement l'ensemble filtre à air sur le carburateur avec la vis.

REMARQUE: Puede adquirir nuevos filtro a air al número telefónico 1-800-4-MY-HOME (469-4663).

Entretien de la bougie d'allumage

Faites l'entretien de la bougie d'allumage aux 100 heures d'opération ou annuellement, le premier des deux prévalant.

1. Nettoyez la surface autour de la bougie d'allumage.
2. Enlevez la bougie d'allumage et examinez-la.
3. Si les électrodes sont usées ou si la porcelaine est craquée ou écaillée. Utilisez la bougie de remplacement recommandée. Consultez *Spécifications*.
4. Vérifiez l'écartement des électrodes à l'aide d'une jauge d'épaisseur et ajustez l'écartement des électrode selon les spécifications recommandées au besoin (voir *Spécifications*).



5. Installez la bougie d'allumage et serrez-la solidement.

REMARQUE: Puede adquirir nuevos bujía al número telefónico 1-800-4-MY-HOME (469-4663).

Inspectez le silencieux et l'écran pare-étincelles

Inspectez s'il y a fissures, corrosion ou autre dommage du silencieux. Retirez l'écran pare-étincelles, si inclus, et inspectez s'il y a un dommage ou obstruction de calamine. S'il y a besoin des pièces de rechange, assurez-vous d'installer seulement des pièces de rechange originales pour l'équipement.

⚠ AVERTISSEMENT: Tout contact avec la zone du silencieux peut causer des brûlures graves.



La chaleur et les gaz d'échappement peuvent enflammer des matériaux

combustibles et les structures ainsi que causer des dommages au réservoir d'essence et entraîner un incendie.

- NE touchez PAS aux pièces chaudes et évitez le contact avec les gaz d'échappement.
- Laissez l'équipement refroidir avant de le toucher.
- Laissez un dégagement d'au moins 1,5 m (5 pi) tout autour de la nettoyeur à pression, y compris au-dessus.
- L'utilisation ou le fonctionnement d'un moteur sur un terrain boisé, couvert de broussailles ou gazonné constitue une violation dans l'État de la Californie, en vertu de la section 4442 du California Public Resources Code, à moins qu'il ne soit doté d'un pare-étincelles tel que défini dans la section 4442 et maintenu en bon état de fonctionnement. Il se peut que d'autres États ou d'autres compétences fédérales aient des lois semblables.

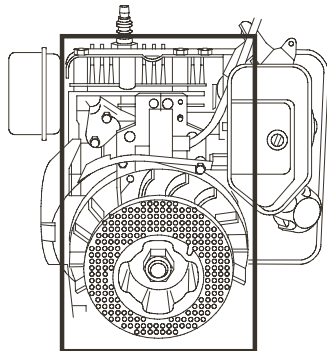
Communiquez avec le fabricant, le détaillant ou le concessionnaire original de l'appareil afin d'obtenir un pare-étincelles conçu pour le système d'échappement installé sur ce moteur.

- Les pièces de rechange doivent être identiques aux pièces d'origine et être installées à la même position.

Système de refroidissement à air

Avec le temps, les débris peuvent s'accumuler dans les ailettes de refroidissement du cylindre et ne peuvent être repérés que par un désassemblage partiel du moteur. Nous vous recommandons donc de demander à un distributeur de service Sears autorisé de nettoyer le système de refroidissement aux intervalles recommandés (consultez la section *Calendrier d'entretien*). Il est aussi important de garder le moteur libre de débris. Consultez la section *Nettoyage des débris*.

Assurez-vous qu'il n'y a pas de débris dans la zone de ligne à haute pression.



Après chaque utilisation

L'eau ne doit pas demeurer dans le nettoyeur durant une longue période de temps. Des sédiments ou des minéraux pourraient s'accumuler sur les pièces de la pompe et bloquer son mouvement. Suivez la procédure suivante après chaque utilisation:

1. Arrêtez le moteur, fermez l'alimentation en eau, dirigez le pistolet vers un endroit sécuritaire et appuyez sur la détente du pistolet de pulvérisation pour libérer la haute pression de l'eau. Engagez le verrou de la détente sur le pistolet pulvérisateur et laissez le moteur refroidir.

⚠ AVERTISSEMENT: Le jet d'eau sous pression produit par cet équipement peut percer la peau et les tissus sous-jacents, risquant de provoquer des blessures graves pouvant mener à une amputation.



Le pistolet de pulvérisation retient une pression d'eau élevée, même lorsque le moteur est éteint et que l'eau est déconnectée, ce qui peut causer des blessures.

- Gardez toujours le tuyau flexible à haute pression raccordé à la pompe et au pistolet de pulvérisation lorsque le système est sous pression.
 - Avant de démarrer le moteur, dirigez TOUJOURS le pistolet vers un endroit sécuritaire et appuyez sur la détente du pistolet de pulvérisation pour libérer la haute pression et éviter un effet de recul. Lorsque vous n'utilisez pas le pistolet, engagez le verrou de la détente.
2. Débranchez le tuyau du pistolet de pulvérisation et de la sortie haute pression de la pompe. Vidangez l'eau du tuyau, du pistolet et de la rallonge de buse. Utilisez un chiffon pour essuyer le tuyau.
 3. Videz la pompe de tout liquide en tirant sur la poignée du lanceur environ 6 fois. Cette opération devrait suffire pour enlever presque tout le liquide dans la pompe.
 4. Entreposez le nettoyeur dans un endroit propre et sec.
 5. Si vous remisez le nettoyeur durant plus de 30 jours, consultez la section *Entreposage à long terme*.

⚠ AVERTISSEMENT: L'essence et ses vapeurs sont extrêmement inflammables et explosives. Le feu ou l'explosion risque de provoquer des blessures graves, pouvant être fatales.



LORSQUE VOUS ENTREPOSEZ L'ESSENCE OU UN ÉQUIPEMENT AVEC UN RÉSERVOIR À ESSENCE

- Entreposez-le loin des appareils de chauffage, des fours, des chauffe-eau, des sècheuses ou de tout autre appareil électroménager disposant d'une veilleuse ou de toute autre source d'inflammation risquant d'enflammer les vapeurs d'essence.

RANGEMENT

ENTREPOSAGE POUR L'HIVER

AVIS: Vous devez protéger votre appareil contre le gel.

- Si vous ne le faites pas, vous pouvez causer des dommages irréversibles à votre pompe qui la rendront inutilisable.
- Les dommages causés par le gel ne sont pas couverts par la garantie.

Pour protéger l'appareil contre le gel:

1. Répéter des étapes 1-3 dans la section précédente *Après Chaque Utilisation*.
2. Utilisez "Pump Saver" pour traiter votre pompe. Ce produit vous permet de réduire les dommages causés par le gel et de lubrifier les pistons et les joints.
3. Si "Pump saver" n'est pas disponible, raccordez une section de tuyau d'arrosage de 1 m (3 pi) de long à un raccord d'eau d'arrivée. Versez de l'antigel de véhicule de plaisance (antigel sans alcool) dans le tuyau. Tirez sur la poignée du lanceur deux fois. Débranchez le tuyau de 1 m (3 pi).
4. Entreposez le nettoyeur dans un endroit propre et sec.

ENTREPOSAGE À LONG TERME

Si vous ne prévoyez pas utiliser le nettoyeur à haute pression durant plus de 30 jours, vous devez préparer le moteur et la pompe pour l'entreposage à long terme.

Pendant la période d'entreposage, il est important d'empêcher la formation de dépôts de gomme dans les parties importantes du système d'alimentation comme le carburateur, le filtre à essence, le tuyau souple de carburant ou le réservoir. De plus, l'expérience a démontré que les carburants à l'alcool (appelés gazohol, éthanol ou méthanol) attire l'humidité, ce qui entraîne la séparation et la formation d'acides durant l'entreposage. Les gaz acides peuvent endommager le système d'alimentation d'un moteur pendant l'entreposage.

Protection du système d'alimentation

Additif de carburant :

Le carburant peut être éventé après un entreposage de plus de 30 jours. Un carburant éventé cause la formation de dépôts acides et de gomme dans le système d'alimentation ou sur les pièces essentielles du carburateur. Pour garder l'essence propre, utilisez le stabilisateur d'essence FRESH START® de Briggs & Stratton, disponible sous forme d'additif liquide ou de cartouche de liquide concentré.

Il est inutile de vidanger le carburant du moteur lorsque du stabilisateur d'essence est ajouté selon les directives. Faites tourner le moteur pendant 2 minutes pour faire circuler le stabilisateur dans le système de carburant.

Vous pouvez ensuite entreposer le moteur et l'essence durant une période maximale de 24 mois. Si l'essence du moteur n'a pas été traitée avec un stabilisateur d'essence, vous devez la vidanger dans un contenant approuvé. Faites tourner le moteur jusqu'à ce qu'il s'arrête par manque d'essence. L'utilisation d'un stabilisateur d'essence dans un contenant approuvé est recommandée pour conserver la fraîcheur.

Changement de l'huile

Alors que le moteur est encore chaud, vidangez l'huile du carter. Remplissez le carter à nouveau avec de l'huile de la qualité recommandée. Consultez la section *Changement d'huile*.

Huilage de l'alésage du cylindre

- Enlevez la bougie d'allumage et versez environ 15 ml (1/2 once) d'huile à moteur neuve dans le cylindre.
- Installez la bougie d'allumage et tirez lentement la poignée du démarreur pour distribuer l'huile.

Protection de la pompe

Utilisez PumpSaver pour traiter la pompe contre les dommages causés par de dépôts minéraux ou le gel. Vous préviendrez ainsi les dommages causés par le gel et lubrifierez les pistons et les joints.

REMARQUE: PumpSaver est un accessoire disponible en option. Il n'est pas fourni avec le nettoyeur à pression. Contactez le détaillant agréé de service après vente situé le plus près de chez vous pour vous procurer PumpSaver.

AVIS: Vous devez protéger votre appareil contre le gel.

- Si vous ne le faites pas, vous pouvez causer des dommages irréversibles à votre pompe qui la rendront inutilisable.
- Les dommages causés par le gel ne sont pas couverts par la garantie.

Pour utiliser PumpSaver, assurez-vous que le nettoyeur à haute pression est en position d'arrêt et débranché de l'alimentation d'eau. Veuillez lire les directives et les avertissements mentionnés sur le contenant de PumpSaver.

Autres directives

1. N'entreposez PAS d'essence d'une saison à l'autre à moins qu'elle ne soit traitée tel que décrit dans *Protection du système d'alimentation*.
2. Remplacez le contenant à essence s'il commence à rouiller. Un carburant contaminé peut causer des problèmes de moteur.
3. Couvrez l'appareil à l'aide d'une housse de protection adéquate qui ne retient pas l'humidité.

⚠ AVERTISSEMENT: Les couvertures de rangement peuvent être inflammables.



- NE placez JAMAIS une couverture de rangement sur un nettoyeur à pression.
- Laissez l'appareil refroidir suffisamment avant de placer la couverture de rangement dessus.

4. Entreposez le nettoyeur à pression dans un endroit propre et sec.

DÉPANNAGE

Problème	Cause	Correction
La pompe a les problèmes suivants: pas de pression, pression irrégulière, pression, claquement, perte de pression, faible débit d'eau.	<ol style="list-style-type: none"> 1. Buse sur basse pression. 2. Entrée d'eau bloquée. 3. Pas assez d'eau qui arrive. 4. Tuyau d'entrée tortillé ou avec fuites. 5. Filtre de tuyau bouché. 6. Eau à plus de 100°F. 7. Tuyau de sortie bloqué ou avec fuites. 8. Le pistolet fuit. 9. La buse est bouchée. 10. La pompe est défectueuse. 	<ol style="list-style-type: none"> 1. Mettre la buse sur haute pression. 2. Dégager l'entrée d'eau. 3. Fournir un débit adéquat. 4. Redresser le tuyau, boucher la fuite. 5. Vérifier et nettoyer le filtre du tuyau d'entrée. 6. Ayez une eau plus froide. 7. Débloquez le tuyau de sortie. 8. Remplacer le pistolet. 9. Déboucher la buse. 10. Contacter votre concessionnaire Sears.
Le détergent ne se mélange pas avec le jet.	<ol style="list-style-type: none"> 1. Le tube n'est pas submergé. 2. Le filtre du tube est bouché. 3. La buse est sur haute pression. 	<ol style="list-style-type: none"> 1. Insérer le tube dans le détergent. 2. Nettoyer ou remplacer le tube et/ou le filtre. 3. Mettre la buse sur le mode basse pression.
Le moteur tourne sans charge mais cale quand une charge est ajoutée.	Vitesse trop lente du moteur.	Mettre l'accélérateur sur FAST. Si le moteur continue à caler contacter votre concessionnaire fabricant de moteur.
Le moteur ne démarre pas, ou il démarre et a des ratés.	<ol style="list-style-type: none"> 1. Filtre à air encrassé. 2. Panne d'essence. 3. Essence éventée. 4. Fil de bougie non branché à la bougie. 5. Bougie défectueuse. 6. Eau présente dans l'essence. 7. Mélange d'essence trop riche. 8. Soupape d'admission bloquée en position ouverte ou fermée. 9. Perte de compression du moteur. 	<ol style="list-style-type: none"> 1. Nettoyez ou remplacez le filtre à air. 2. Faites le plein du réservoir. 3. Vidangez le réservoir; faites le plein avec de l'essence nouvelle. 4. Branchez le fil à la bougie. 5. Remplacez la bougie. 6. Vidangez le réservoir; faites le plein avec de l'essence nouvelle. 7. Contactez le centre de service Sears. 8. Contactez le centre de service Sears. 9. Contactez le centre de service Sears.
El motor se apaga durante la operación.	Sin gasolina.	Llene el tanque de combustible.
Manque de puissance du moteur.	Filtre à air encrassé.	Remplacez le filtre à air.

REMARQUES

GARANTIE DU DISPOSITIF ANTIPOLLUTION

Sears, Roebuck and Co., U.S.A. (Sears), le California Air Resources Board (CARB)
et le United States Environmental Protection Agency (U.S. EPA)

Énoncé de garantie du dispositif antipollution (Droits et obligations du propriétaires relatifs à la garantie contre les défauts)

Le California Air Resources Board (CARB), l'USEPA et Sears sont heureux de vous expliquer la garantie couvrant le dispositif antipollution de votre petit moteur hors route. En Californie, les nouveaux modèles de petits moteurs hors route de l'année 2006 et ultérieurs doivent être conçus, construits et équipés de façon à respecter les normes anti-smog rigoureuses de l'état.

Ailleurs aux États-Unis, les nouveaux moteurs à étincelles hors route homologués, modèles 1997 ou plus récents, doivent respecter des normes semblables définies par l'USEPA. Sears doit garantir le dispositif antipollution de votre moteur pour les périodes indiquées ci-dessous, à condition qu'il n'y ait pas eu d'abus, de négligence, de mauvais entretien sur ledit moteur.

Votre dispositif antipollution comprend des pièces comme le carburateur, le filtre à air, le système d'allumage, le conduit d'essence, le silencieux et le convertisseur catalytique. Il peut aussi y avoir des connecteurs et d'autres dispositifs reliés aux émissions.

Dans le cas d'un défaut couvert par la garantie, Sears réparera votre petit moteur hors route sans frais, et ce, incluant le diagnostic, les pièces et la main d'œuvre.

Couverture de garantie contre les défauts du dispositif antipollution de Sears

La garantie de votre petit moteur hors route couvre les pièces défectueuses du dispositif antipollution pour une période de deux ans, sujette aux dispositions détaillées ci-dessous. Si une pièce de votre moteur couverte par la garantie est défectueuse, Sears la réparera ou la remplacera.

Responsabilités de la garantie du propriétaire

En tant que propriétaire de petit moteur hors route, vous êtes responsable de l'exécution de l'entretien requis indiqué dans vos instructions d'utilisation et d'entretien. Sears recommande de conserver tous les reçus reliés à l'entretien de votre petit moteur hors route; toutefois, Sears ne peut refuser la garantie uniquement parce que vous êtes dans l'impossibilité de produire les reçus ou que vous n'avez pas effectué toutes les étapes de l'entretien prévu.

Néanmoins, vous devez savoir, en tant que propriétaire de petit moteur hors route, que Sears peut renier la garantie si votre moteur ou une pièce font défaut en raison d'abus, de négligence, d'entretien inadéquat ou de modifications non approuvées.

Dès qu'un problème survient, vous avez la responsabilité de faire examiner votre moteur à un distributeur de service Sears autorisé.

Les réparations couvertes par la garantie non contestées doivent être effectuées dans un délai raisonnable, n'excédant pas 30 jours.

Si vous avez des questions au sujet de vos droits et responsabilités reliés à la garantie, veuillez communiquer avec un représentant de Sears au 1-800-469-4663.

La garantie du dispositif antipollution est une garantie contre les défauts. Les défauts sont évalués selon la performance normale du moteur. La garantie n'est pas reliée à un test du dispositif antipollution à l'usage.

Dispositions de la garantie contre les défauts du dispositif antipollution de Sears

Les dispositions qui suivent sont spécifiques à la couverture de garantie contre les défauts du dispositif antipollution. Elle est un ajout à la garantie sur les moteurs de Sears pour les moteurs non régulés, figurant dans les instructions d'utilisation et d'entretien.

1. Pièces garanties

La couverture de cette garantie n'englobe que les pièces énumérées ci-dessous (pièces du dispositif antipollution) dans la mesure où ces pièces étaient présentes sur le moteur au moment de l'achat.

- a. Système de contrôle d'alimentation en carburant
Dispositif d'enrichissement pour démarrage à froid
Carburateur et pièces internes
Pompe à carburant

Conduit d'essence, raccords de conduit d'essence, brides de serrage

Réservoir d'essence, bouchon et attache

Absorbeur de vapeurs d'essence

- b. Circuit d'entrée d'air

Filtre à air

Collecteur d'admission

Ligne de purge et d'évacuation

- c. Système d'allumage

Bougie(s) d'allumage

Système d'allumage à magnéto

- d. Système de catalyseur

Convertisseur catalytique

Collecteur d'échappement

Système d'injection d'air ou soupape d'impulsion

- e. Éléments divers

Soupapes et interrupteurs de dépression, de température, de position, à délai critique

Connecteurs et dispositifs

2. Durée de la couverture

Sears garantit au propriétaire initial et à tous les acheteur que les pièces garanties seront libres de tout défaut de matériel et de main d'œuvre qui pourrait entraîner la défectuosité des pièces garanties, et ce, pour une période de deux ans à compter de la date de livraison du moteur à un acheteur au détail.

3. Aucun frais

La réparation ou le remplacement de toute pièce garantie s'effectuera sans frais pour le propriétaire, y compris la main d'œuvre reliée au diagnostic concluant qu'une pièce garantie est effectivement défectueuse, si le diagnostic est effectué dans un distributeur de service Sears autorisé.

4. Réclamations et exclusions de couverture

Les réclamations au titre de la garantie doivent être présentées conformément aux dispositions de la politique de garantie de Sears. La couverture de garantie n'englobe pas les défectuosités sur des pièces garanties qui ne sont pas les pièces originales de Sears ou les défectuosités reliées à un abus, de la négligence ou un entretien inapproprié tel que détaillé dans la politique de garantie du moteur de Sears. Sears n'a pas la responsabilité de couvrir les défectuosités des pièces garanties causées par l'utilisation de pièces ajoutées, non originales ou modifiées.

5. Entretien

Toute pièce garantie dont le remplacement n'est pas prévu dans l'entretien requis, ou qui ne doit faire l'objet que d'une inspection régulière et qu'il ne faut que "réparer ou remplacer au besoin", est garantie contre les défectuosités pour la durée de la période de garantie. Toute pièce garantie dont le remplacement fait partie de l'entretien requis est garantie contre les défauts seulement pour la période se terminant au premier remplacement prévu de ladite pièce. Toute pièce de rechange dont la performance et la durabilité sont équivalentes peut être utilisée pour l'entretien ou les réparations. Le propriétaire est responsable de l'exécution de l'entretien requis, indiqué dans le présent instructions d'utilisation et d'entretien de Sears.

6. Couverture indirecte

La couverture prévue aux présentes englobe toute défectuosité de l'un des composants du moteur causée à la suite d'une défectuosité d'une des pièces garanties encore couverte par la garantie.

En EE.UU. y Canadá contamos con una línea de emergencia las 24 horas (1-800-469-4663), que ofrece un menú de mensajes pregrabados con información sobre mantenimiento de productos.

Renseignements sur les émissions

Les renseignements concernant la période de durabilité des émissions et l'indice de pollution atmosphérique doivent être fournis avec les moteurs qui répondent aux normes relatives aux émissions de la California Air Resources Board (CARB). Le fabricant du moteur doit fournir ces renseignements aux consommateurs sur des étiquettes d'émissions. L'étiquette des émissions du moteur fournit des renseignements sur la certification.

La **période de durabilité des émissions** décrit le nombre d'heures pendant lesquelles le moteur peut fonctionner en respectant les normes relatives aux émissions, en supposant que l'entretien est effectué conformément aux directives de fonctionnement et d'entretien. Les catégories utilisées sont les suivantes :

Modéré : Le moteur peut fonctionner pendant 125 heures tout en respectant la norme relative aux émissions.

Intermédiaire : Le moteur peut fonctionner pendant 250 heures tout en respectant la norme relative aux émissions.

Prolongé : Le moteur peut fonctionner pendant 500 heures tout en respectant la norme relative aux émissions.

Par exemple, l'utilisation d'une tondeuse poussée est d'environ 20 à 25 heures par année. Par conséquent, la **période de durabilité des émissions** d'un moteur de catégorie **intermédiaire** équivaut à une période de 10 à 12 années.

Certains moteurs respecteront les normes relatives aux émissions de phase 2 de la United States Environmental Protection Agency (USEPA). Dans le cas des moteurs homologués phase 2, la période de conformité des émissions indiquée sur l'étiquette de conformité des émissions indique le nombre d'heures de fonctionnement pendant lesquelles le moteur a démontré qu'il respectait les exigences fédérales en matière d'émissions.

Pour les moteurs de cylindrée inférieure à 225 cc:

Catégorie C = 125 heures

Catégorie B = 250 heures

Catégorie A = 500 heures.

Pour les moteurs de cylindrée égale ou supérieure à 225 cc:

Catégorie C = 250 heures

Catégorie B = 500 heures

Catégorie A = 1000 heures.

Get it fixed, at your home or ours!

Your Home

For expert troubleshooting and home solutions advice:

manage my home

www.managemyhome.com

For repair – **in your home** – of **all** major brand appliances, lawn and garden equipment, or heating and cooling systems, **no matter who made it, no matter who sold it!**

For the replacement parts, accessories and owner's manuals that you need to do-it-yourself.

For Sears professional installation of home appliances and items like garage door openers and water heaters.

1-800-4-MY-HOME[®] (1-800-469-4663)

Call anytime, day or night (U.S.A. and Canada)

www.sears.com www.sears.ca

Our Home

For repair of carry-in items like vacuums, lawn equipment, and electronics, call anytime for the location of your nearest

Sears Parts & Repair Service Center

1-800-488-1222 (U.S.A.)

www.sears.com

1-800-469-4663 (Canada)

www.sears.ca

To purchase a protection agreement on a product serviced by Sears:

1-800-827-6655 (U.S.A.)

1-800-361-6665 (Canada)

Para pedir servicio de reparación a domicilio, y para ordenar piezas:

1-888-SU-HOGAR[®]

(1-888-784-6427)

Au Canada pour service en français:

1-800-LE-FOYER^{MC}

(1-800-533-6937)

www.sears.ca

Sears

® Registered Trademark / TM Trademark / SM Service Mark of Sears Brands, LLC

® Marca Registrada / TM Marca de Fábrica / SM Marca de Servicio de Sears Brands, LLC

^{MC} Marque de commerce / ^{MD} Marque déposée de Sears Brands, LLC

© Sears Brands, LLC